



DNH

HEAD OFFICE, NORWAY

DNH AS

Phone..... + 47 35 98 56 00

Fax..... + 47 35 98 56 10

E-mail..... dnh@dnh.no

Web-Site..... www.dnh.no

ISO 9001 CERTIFIED

ENGLAND

DNH WW Ltd

Phone..... + 44 1908 275 000

Fax..... + 44 1908 275 100

E-mail..... dnh@dnh.co.uk

GERMANY

DNH GmbH

Phone... + 49 040 6569 30-0

Fax..... + 49 040 6569 30-30

E-mail..... dnh@dnh.de

USA

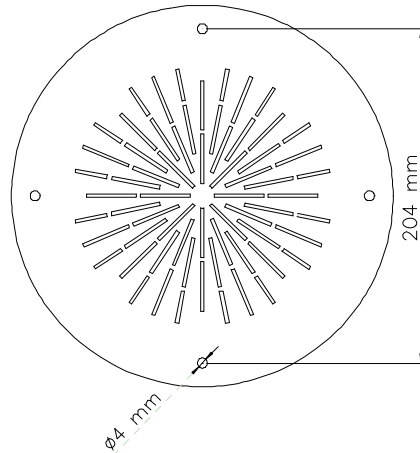
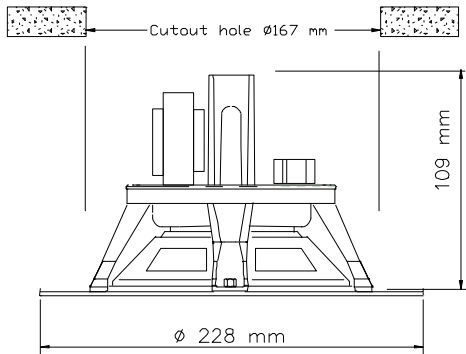
DNH Speakers Inc

Phone..... + 1 484 494 5790

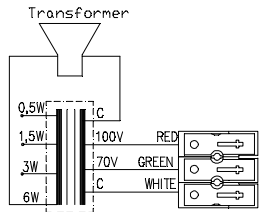
Fax..... + 1 484 494 5793

E-mail..dnh@dnhspeakers.com

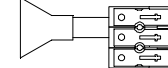
B-620(T)



CIRCUIT DIAGRAM



Low impedance



70/100 Volt combined transformer
Primary connections

White : Green 70 V

White : Red 100 V

Secondary nominal tapings

C : 6W 6,0 W

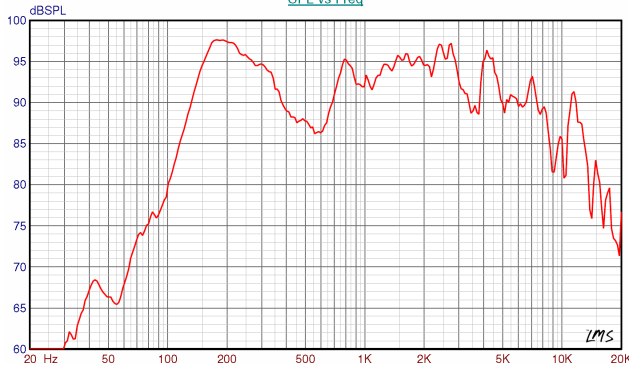
C : 3W 3,0 W

C : 1,5W 1,5 W

C : 0,5W 0,5 W

Sound pressure levels at 1W/1m w/ P-6/15B

SPL vs Freq



Specifications

Material / Color	PA V0 / Aluminum / RAL 9010
Mounting	4 Screws
Termination	Spring clamps
Weight w/transformer	0,87 kg
Max. / min. amb. temp	90°C / -20°C
Rated power	6 W
SPL 1W/1m	92 dB
SPL rated power	99 dB
Effective freq. range	90 – 20000 Hz
Dispersion (-6dB) 1kHz / 4kHz	150° / 85° (baffle)
Max. / min. amb. temp	90°C / -20°C

Installation, Operation and Maintenance Procedures

- Connect cable to terminal (70V or 100V) and select required tapping into the transformer.
- Install loudspeaker grille by four screws.
- For optimum performance, always use the correct voltage / power and operate within the frequency limits as stated.
- Do not open loudspeaker when energized.
- This loudspeaker is supplied with two years warranty against defective workmanship.

DNH reserves the right to alter specifications without notice

