



DNH

HEAD OFFICE, NORWAY

DNH AS

Phone..... + 47 35 98 56 00

Fax..... + 47 35 98 56 10

E-mail..... dnh@dnh.no

Web-Site..... www.dnh.no

ISO 9001 CERTIFIED

ENGLAND

DNH WW Ltd

Phone..... + 44 1908 275 000

Fax..... + 44 1908 275 100

E-mail..... dnh@dnh.co.uk

GERMANY

DNH GmbH

Phone... + 49 040 6569 30-0

Fax..... + 49 040 6569 30-30

E-mail..... dnh@dnh.de

USA

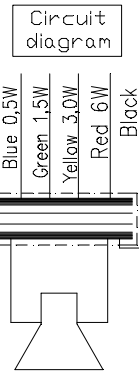
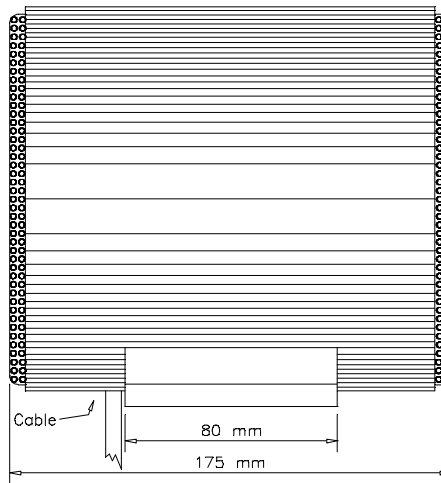
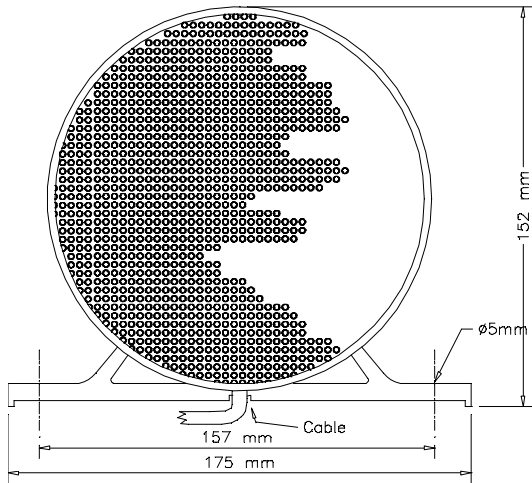
DNH Speakers Inc

Phone..... + 1 484 494 5790

Fax..... + 1 484 494 5793

E-mail..... dnh@dnhspeakers.com

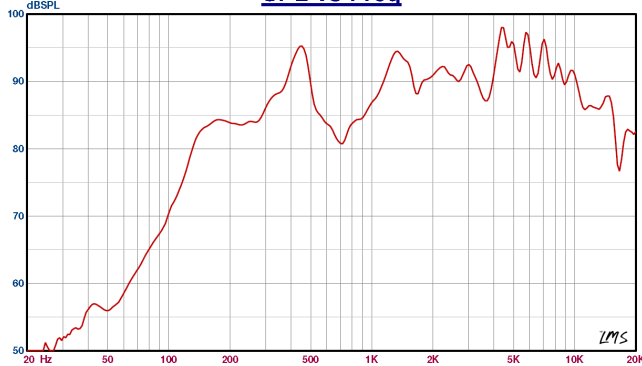
CAR-6(T)



100 V Primary nominal tapings	
Black : Red	6,0 W
Black : Yellow	3,0 W
Black : Green	1,5 W
Black : Blue	0,5 W

Sound pressure levels at 1W/1m P5/15T

SPL vs Freq



Specifications

Material / Color	Aluminum / RAL9010 or anodized
Mounting	Foot bracket
Termination	Cable, 1 m
Weight w/transformer	1,9 kg
IP-rating	30
Max. / min. amb. temp	90°C / -40°C
Rated power	6W
SPL 1W/1m	90 dB
SPL rated power	96 dB
Effective freq. range	150 – 20000 Hz
Dispersion (-6dB) 1kHz / 4kHz	360° / 2x60°(bidirectional)
Options	Impedances, colors, labels

Installation, Operation and Maintenance Procedures

- Fasten loudspeaker with two screws through foot bracket.
- Select required tapping and connect with a suitable terminal.
- For optimum performance, always use the correct voltage / power and operate within the frequency limits as stated.
- Do not open loudspeaker when energized.
- This loudspeaker is supplied with two years warranty against defective workmanship.

DNH reserves the right to alter specifications without notice.

