



DNH

HEAD OFFICE, NORWAY
DNH AS

Phone..... + 47 35 98 56 00
 Fax..... + 47 35 98 56 10
 E-mail..... dnh@dnh.no
 Web-Site..... www.dnh.no

ENGLAND
DNH WW Ltd

Phone..... + 44 1908 275 000
 Fax..... + 44 1908 275 100
 E-mail..... dnh@dnh.co.uk

GERMANY
DNH GmbH

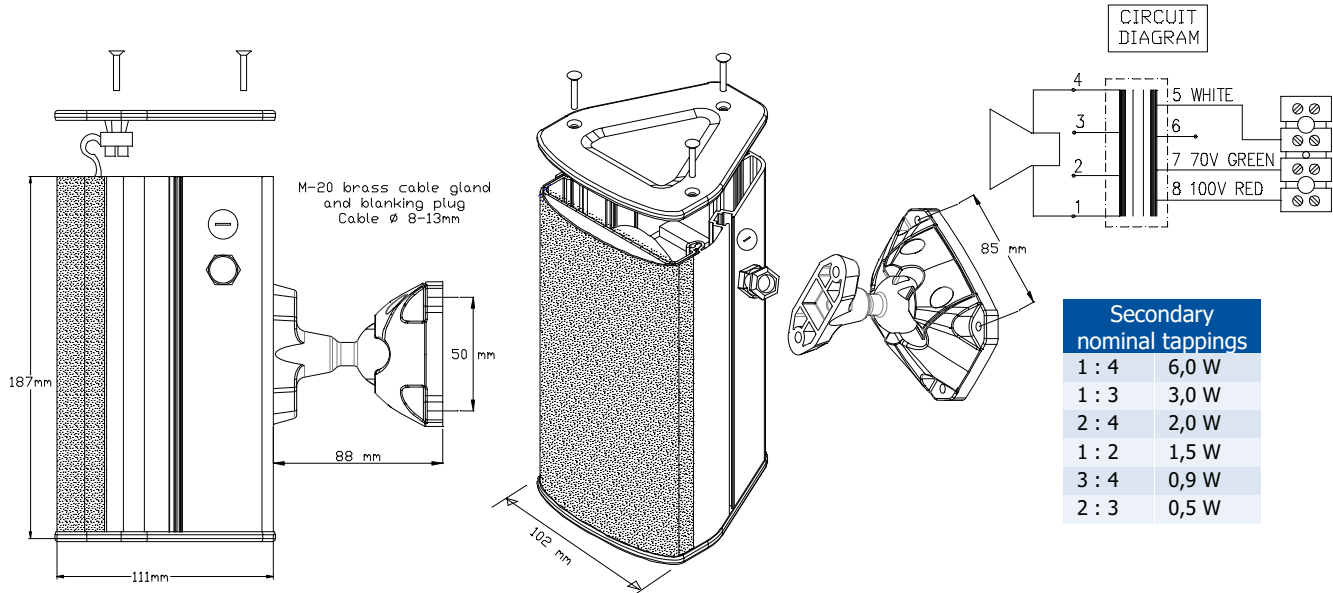
Phone... + 49 040 6569 30-0
 Fax..... + 49 040 6569 30-30
 E-mail..... dnh@dnh.de

CAS-6(T)

USA
DNH Speakers Inc

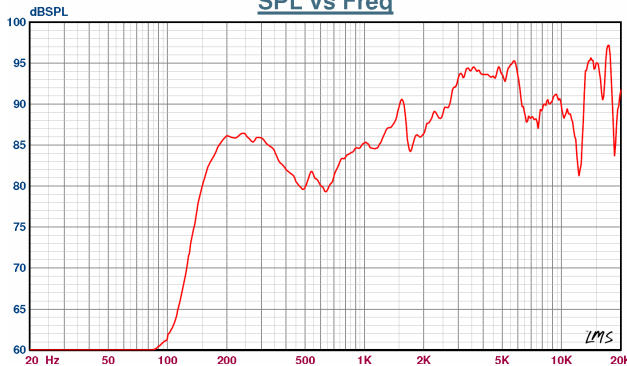
Phone..... + 1 484 494 5790
 Fax..... + 1 484 494 5793
 E-mail..dnh@dnhspeakers.com

ISO 9001 CERTIFIED



Sound pressure levels at 1W/1m

SPL vs Freq



Specifications

Material / Color	Aluminum/RAL9010 or 9006
Mounting	Swivel bracket
Termination	Inside screw terminals
Weight w/transformer	1,46 kg
IP-rating	54
Max. / min. amb. temp	110°C / -40°C
Rated Power	6 W
SPL 1W/1m	88 dB
SPL rated power	95 dB
Effective freq. range	130 – 20000 Hz
Dispersion (-6dB) 1kHz / 4kHz	330° / 80° (vertical)
Options	Impedances, colors, labels

Installation, Operation and Maintenance Procedures

- Termination side is marked with label.
- Remove lid by three screws, lead cable through the cable gland and connect to terminal 70V (white – green) or 100V (white – red).
- Choose required power on the transformer.
- Screw lid back into place by three screws with a torque of 1,5 Nm to assure the IP rating.
- To mount, slide two M6 nuts in slot and fasten the swivel bracket with two bolts. Slide swivel bracket to wanted position and tighten bolts.
- For optimum performance, always use the correct voltage / power and operate within the frequency limits as stated.
- Do not open loudspeaker when energized.
- This loudspeaker is supplied with two years warranty against defective workmanship.

DNH reserves the right to alter specifications without notice.

