



DNH

HEAD OFFICE, NORWAY
DNH AS

Phone..... + 47 35 98 56 00
Fax..... + 47 35 98 56 10
E-mail..... dnh@dnh.no
Web-Site..... www.dnh.no

ENGLAND
DNH WW Ltd

Phone..... + 44 1908 275 000
Fax..... + 44 1908 275 100
E-mail..... dnh@dnh.co.uk

GERMANY
DNH GmbH

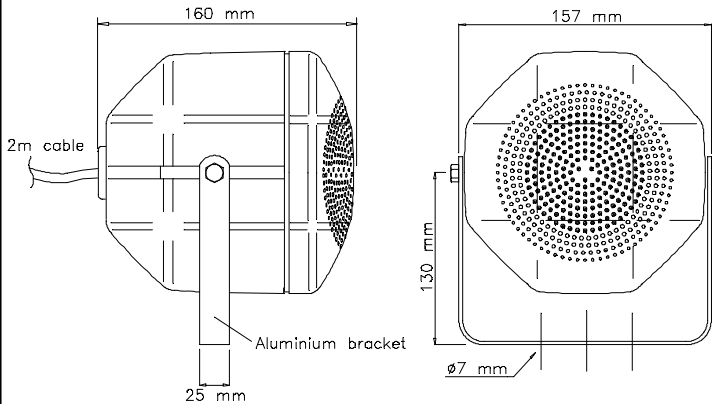
Phone... + 49 040 6569 30-0
Fax..... + 49 040 6569 30-30
E-mail..... dnh@dnh.de

USA
DNH Speakers Inc

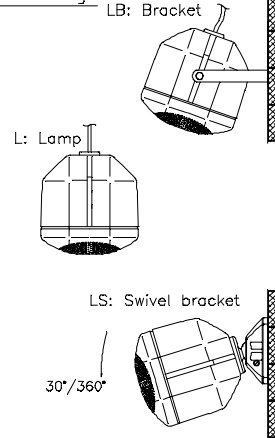
Phone..... + 1 484 494 5790
Fax..... + 1 484 494 5793
E-mail..dnh@dnhspeakers.com

ISO 9001 CERTIFIED

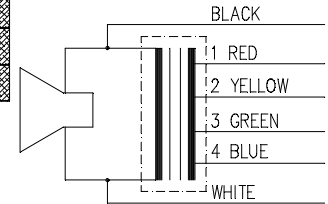
Dimensions:



Mounting:



CIRCUIT DIAGRAM

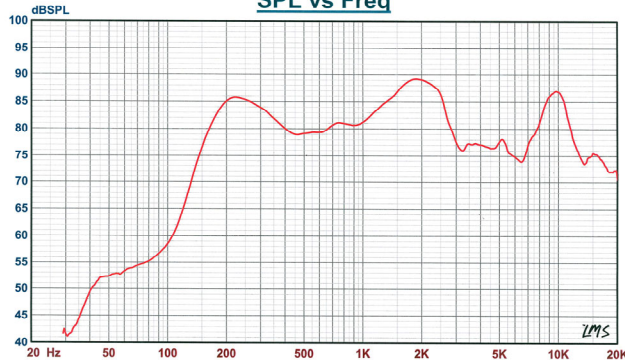


100V Primary nominal tapings	
Red : Yellow	6,0 W
Yellow : Green	3,0 W
Green : Blue	1,5 W
Red : Green	1,0 W
Yellow : Blue	0,5 W
Red : Blue	0,3 W

Low impedance	
Black : White	8 Ω

Sound pressure levels at 1W/1m w/P-3/10T

SPL vs Freq



Specifications

Material / Color	Polyamid / White (RAL 7035)
Mounting	By cable as pendant(L) / Bracket(LB) / Swivel bracket(LS)
Termination	Cable, 2m
Weight (L)	1,2 kg
IP-rating	56
Max. / min. amb. temp	120°C / -40°C
Rated power	6 W
SPL 1W/1m	85 dB
SPL rated power	93 dB
Effective freq. range	125 – 18000 Hz
Dispersion (-6dB) 1kHz / 4kHz	180° / 80°
Options	Impedances, colors, labels

Installation, Operation and Maintenance Procedures

- Please specify your model when ordering (L, LB or LS)
- How to mount the loudspeaker:
 - Lamp-version (L): Ensure that the cable is fastened securely to the ceiling.
 - Bracket-version (LB): Screw the bracket to wall or ceiling with screws.
 - Swivel bracket version (LS): Read mounting instructions on carton box.
- To change the position of the loudspeaker:
 - Bracket version (LB): Adjust the bracket (by loosening / tightening the screws) as required.
 - Swivel bracket version (LS): Adjust the swivel base (by loosening / tightening the screws) as required.
- For optimum performance, always use the correct voltage / power and operate within the frequency limits as stated.
- Take care when loudspeaker is energized. (100V)
- This loudspeaker is supplied with two years warranty against defective workmanship.

DNH reserves the right to alter specifications without notice.

