



DNH

HEAD OFFICE, NORWAY

DNH AS

Phone..... + 47 35 98 56 00

Fax..... + 47 35 98 56 10

E-mail..... dnh@dnh.no

Web-Site..... www.dnh.no

ENGLAND

DNH WW Ltd

Phone..... + 44 1908 275 000

Fax..... + 44 1908 275 100

E-mail..... dnh@dnh.co.uk

GERMANY

DNH GmbH

Phone... + 49 040 6569 30-0

Fax..... + 49 040 6569 30-30

E-mail..... dnh@dnh.de

USA

DNH Speakers Inc

Phone..... + 1 484 494 5790

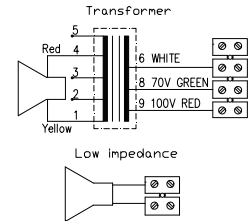
Fax..... + 1 484 494 5793

E-mail..dnh@dnhspeakers.com

ISO 9001 CERTIFIED

H-62S(T)

CIRCUIT DIAGRAM

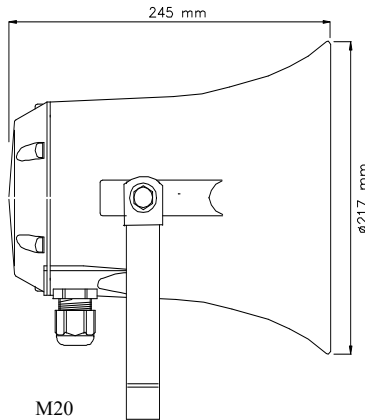


70/100 Volt combined transformer
Primary connections

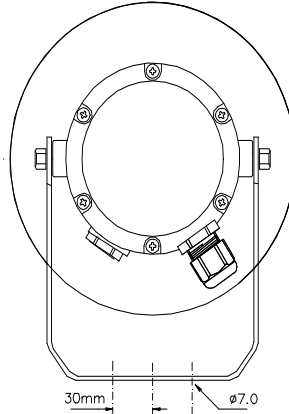
White : Green 70 V
White : Red 100 V

Secondary nominal tappings

1 : 4	25,0W
1 : 3	12,5W
2 : 4	8,0W
1 : 2	7,0 W
3 : 4	3,0W
2 : 3	1,7W

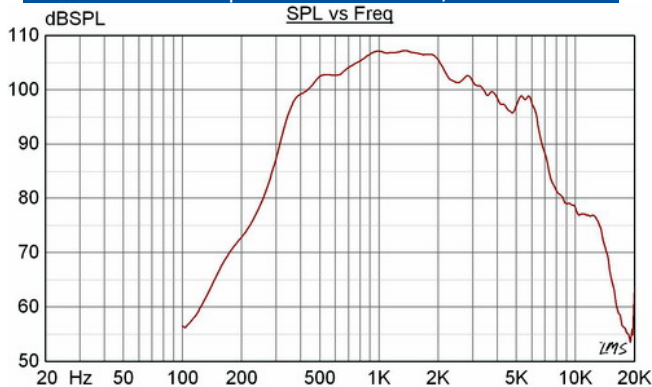


M20
Cable diameter:
8 - 13 mm



Bracket and all outside nuts and bolts
in stainless steel

Sound pressure levels at 1W/1m



Specifications

Material / Color	Aluminum / RAL7035
Mounting	Bracket
Termination	Screw terminal
Weight w/transformer	3,9 kg
IP-rating	55
Max. / min. amb. temp	150°C / -50°C
Rated power	25 W
SPL 1W/1m	109 dB
SPL rated power	122 dB
Effective freq. range	300 – 7000 Hz
Dispersion (-6dB) 1kHz / 4kHz	115° / 30°
Options	Impedances, colors, labels

Installation, Operation and Maintenance Procedures

- Fasten the loudspeaker to the wall with three screws on the bracket.
- To change the position of the loudspeaker, please adjust the bracket (by loosening / tightening the screws) as required.
- Open the lid by six screws.
- Connect to terminal (70V or 100V) and select required tapping into the transformer.
- Fasten lid with a torque of 2 - 3 Nm.
- H-62S is designed to withstand sound shocks (maximum 175 dB)
- The aluminum surface of the loudspeaker should be regularly treated with paint at the same interval as with other similar outdoor equipment.
- For optimum performance, always use the correct voltage / power and operate within the frequency limits as stated.
- Do not open while energized.
- This loudspeaker is supplied with two years warranty against defective workmanship.

DNH reserves the right to alter specifications without notice.

