



DNH

HEAD OFFICE, NORWAY
DNH AS

Phone..... + 47 35 98 56 00
Fax..... + 47 35 98 56 10
E-mail..... dnh@dnh.no
Web-Site..... www.dnh.no

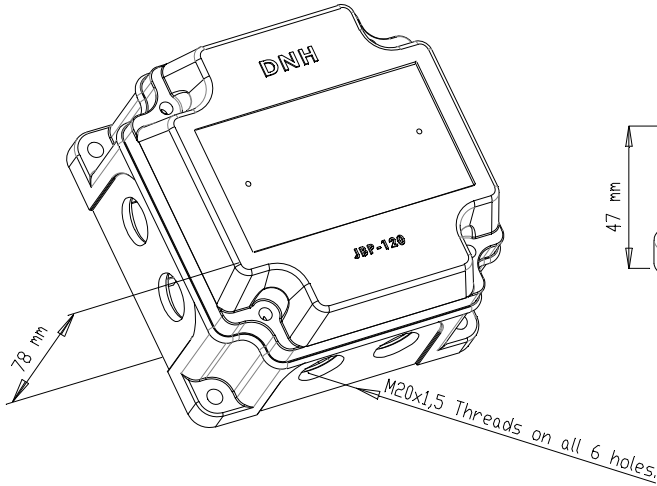
ENGLAND
DNH WW Ltd
Phone..... + 44 1908 275 000
Fax..... + 44 1908 275 100
E-mail..... dnh@dnh.co.uk

GERMANY
DNH GmbH
Phone... + 49 040 6569 30-0
Fax..... + 49 040 6569 30-30
E-mail..... dnh@dnh.de

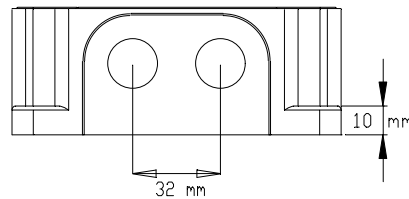
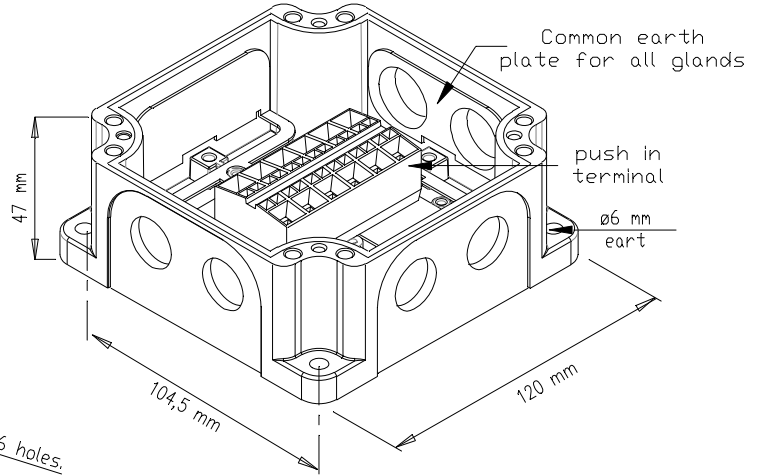
USA
DNH Speakers Inc
Phone..... + 1 484 494 5790
Fax..... + 1 484 494 5793
E-mail..... dnh@dnhspeakers.com

JBP-120EExeN

ISO 9001 CERTIFIED



3 x M20 cable glands and
4 x M20 blind plugs



Certified by/ Certification code / Number : NEMKO / Ex e IIC T6 Gb/ 12ATEX1207X

Specifications	
Material / Color	Antistatic PA/ Black
Mounting	4 screws
Termination	Wago 264 terminal /earth plate
Weight	0,4 kg
IP-rating	67
Max. / min. amb. temp	-50°C ≤ Ta ≤ +50°C

Installation, Operation and Maintenance Procedures

- Screw the box to the wall or ceiling with 2-4 screws.
- JBP-120 has six entries, and is delivered with three pieces M-20EExe ATEX cable glands and four pieces M-20EExe ATEX blind plugs. Every time the lid is removed for inspection, check that the gasket is fitted correctly to the lid before you refit the back lid. Do not use any lubricants on the gasket.
- Fasten lid with four screws approximately 1 Nm.
- JBP-120EExeN is delivered with Wago terminal 264 with max 2,5 mm².
- JBP-120EExeN has a two years warranty against defective workmanship.

DNH reserves the right to alter specifications without notice

