



# DNH

HEAD OFFICE, NORWAY  
**DNH AS**

Phone..... + 47 35 98 56 00  
 E-mail..... dnh@dnh.no  
 Web-Site..... www.dnh.no

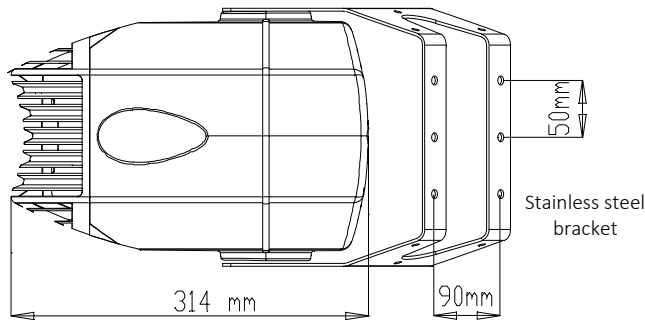
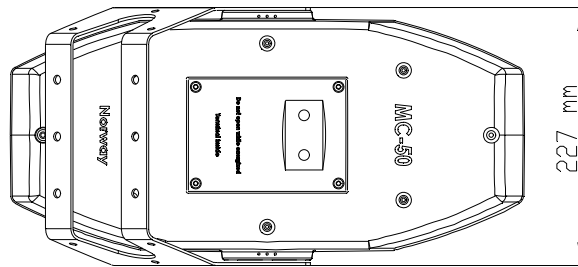
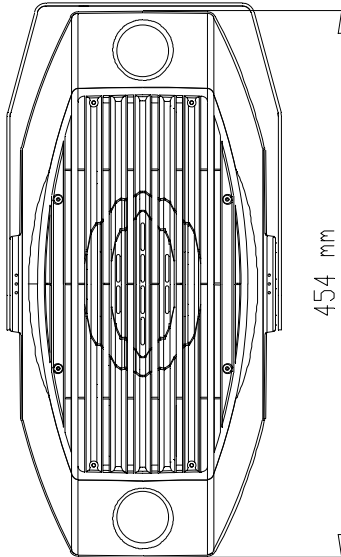
ENGLAND  
**DNH WW Ltd**  
 Phone..... + 44 1908 275 000  
 Fax..... + 44 1908 275 100  
 E-mail..... dnh@dnh.co.uk

GERMANY  
**DNH GmbH**  
 Phone... + 49 040 6569 30-0  
 Fax..... + 49 040 6569 30-30  
 E-mail..... dnh@dnh.de

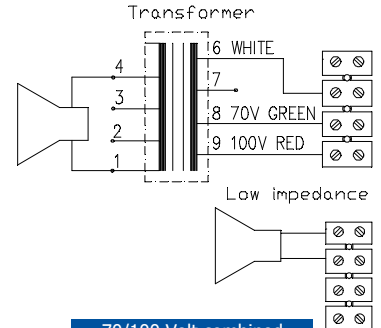
USA  
**DNH Speakers Inc**  
 Phone..... + 1 484 494 5790  
 Fax..... + 1 484 494 5793  
 E-mail..... dnh@dnhspeakers.com

## MC-50(T)

ISO 9001 CERTIFIED

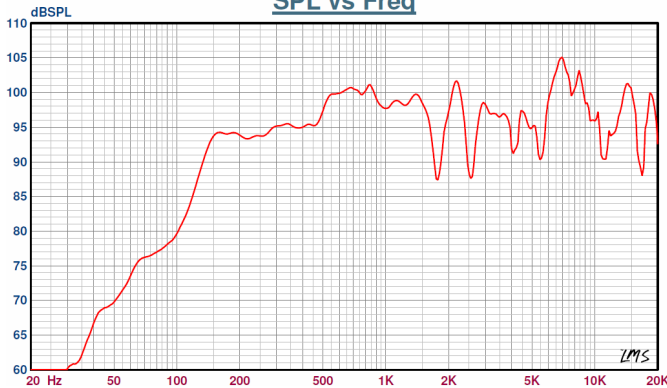


### CIRCUIT DIAGRAM



70/100 Volt combined transformer	
Primary connections	
White : Green	70 V
White : Red	100 V
Secondary nominal tapings	
1 : 4	50,0 W
1 : 3	27,0 W
2 : 4	18,0 W
1 : 2	15,0 W
3 : 4	7,5 W
2 : 3	3,5 W

### Sound pressure levels at 1W/1m SPL vs Freq



### Specifications

Material / Color	ASA / RAL 7035
Mounting	Bracket
Termination	Screw terminal in termination chamber
Weight w/transformer	6,2 Kg
IP-rating	54
Max. / min. amb. temp	90°C / -40°C
Rated power	50 W
SPL 1W/1m	98 dB
SPL rated power	115 dB
Effective freq. range	90 – 20000 Hz
Dispersion (-6dB) 1kHz / 4kHz	Horizontal 84°/105° Vertical 127°/105°
Directivity factor, Q	Horizontal 4,3 Vertical 2,8
Options	Impedances, colors, labels

### Installation, Operation and Maintenance Procedures

- Unscrew the lid by four screws, lead the cable through cable the gland and connect to terminal (70V or 100V), select required tapping into the transformer.
- Tighten cable gland and fasten termination chamber lid with a torque of 1-2 Nm to assure IP grade.
- Fasten the bracket to wall or ceiling with three screws.
- To change the position of the loudspeaker, please adjust the bracket (by loosening / tightening the screws) as required.
- For optimum performance, always use the correct voltage / power and operate within the frequency limits as stated.
- Do not open loudspeaker when energized.
- This loudspeaker is supplied with two years warranty against defective workmanship.

DNH reserves the right to alter specifications without notice.

