



DNH

HEAD OFFICE, NORWAY
DNH AS

Phone..... + 47 35 98 56 00
E-mail..... dnh@dnh.no
Web-Site..... www.dnh.no

ENGLAND
DNH WW Ltd

Phone..... + 44 1908 275 000
Fax..... + 44 1908 275 100
E-mail..... dnh@dnh.co.uk

GERMANY
DNH GmbH

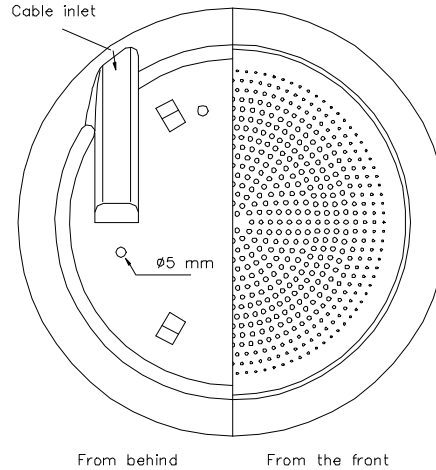
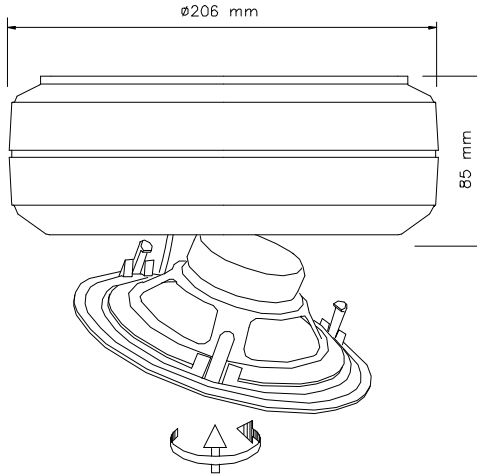
Phone... + 49 040 6569 30-0
Fax..... + 49 040 6569 30-30
E-mail..... dnh@dnh.de

BLC-550(T)

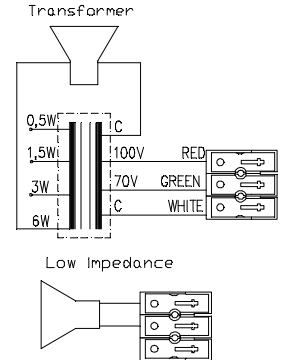
USA
DNH Speakers Inc

Phone..... + 1 484 494 5790
Fax..... + 1 484 494 5793
E-mail..... dnh@dnhspeakers.com

ISO 9001 CERTIFIED

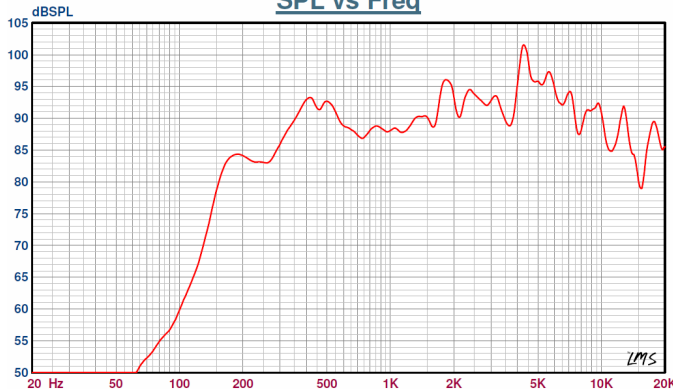


CIRCUIT DIAGRAM



| 70/100 Volt combined transformer Primary connections | |
|--|-------|
| White : Green | 70 V |
| White : Red | 100 V |
| Secondary nominal tapings | |
| C : 6W | 6,0 W |
| C : 3W | 3,0 W |
| C : 1,5W | 1,5 W |
| C : 0,5W | 0,5 W |

Sound pressure levels at 1W/1m with P5/15T SPL vs Freq



Specifications

| | |
|-------------------------------|----------------------------|
| Material / Color | ABS / RAL 9010 |
| Mounting | Screws (max ø5mm) |
| Termination | Spring clamp |
| Weight w/transformer | 0,93 kg |
| IP-rating | 20 |
| Max. / min. amb. temp | 90°C / -20°C |
| Rated power | 6 W |
| SPL 1W/1m | 90 dB |
| SPL rated power | 97 dB |
| Effective freq. range | 140 – 20000 Hz |
| Dispersion (-6dB) 1kHz / 4kHz | 110° / 55° |
| Options | Impedances, colors, labels |

Installation, Operation and Maintenance Procedures

- Open the loudspeaker by turning the grill counterclockwise.
- Lead cable through cable inlet, connect to terminal (70V or 100V) and select required tapping on transformer.
- Screw the cabinet to the wall or ceiling with four screws.
- Screw the loudspeaker front gently clockwise into fixed position.
- For optimum performance, always use the correct voltage / power and operate within the frequency limits as stated.
- Do not open loudspeaker when energized.
- Available in clean room version BLC-550CR
- This loudspeaker is supplied with two years warranty against defective workmanship.

DNH reserves the right to alter specifications without notice.

