



# DNH

HEAD OFFICE, NORWAY  
DNH AS

Phone..... + 47 35 98 56 00  
E-mail..... dnh@dnh.no  
Web-site..... www.dnh.no

ENGLAND

DNH WW Ltd

Phone..... + 44 1908 275 000  
Fax..... + 44 1908 275 100  
E-mail..... dnh@dnh.co.uk

GERMANY

DNH GmbH

Phone... + 49 040 6569 30-0  
Fax..... + 49 040 6569 30-30  
E-mail..... dnh@dnh.de

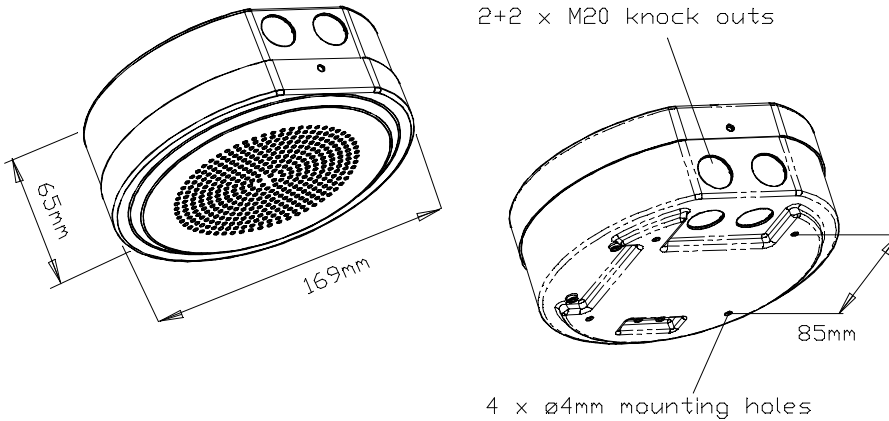
USA

DNH Speakers Inc

Phone..... + 1 484 494 5790  
Fax..... + 1 484 494 5793  
E-mail..... dnh@dnhspeakers.com

## SAFE-561-54(T)

ISO 9001 CERTIFIED



Tested acc. To EN54-24

Type : A

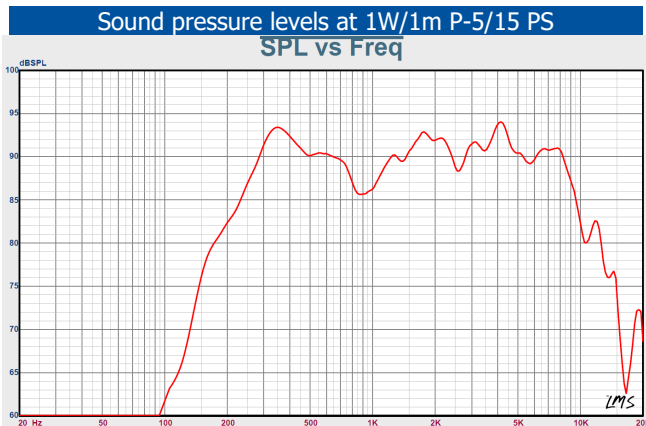
Manufactured by DNH A/S

Kragerø Norway

15 1438-CPR-1074

70/100 volt combined transformer Primary connections		
White : Green		70 V
White : Red		100 V
Secondary nominal tapings		
C : 6,0W	6,0 W	Imp 1500 Ohm
C : 3,0W	3,0 W	Imp 3000 Ohm
C : 1,5W	1,5 W	Imp 6000 Ohm
C : 0,5W	0,5 W	Imp 12000Ohm

Loudspeaker for voice alarm systems for fire detection and fire alarm systems for buildings



Horizontal / vertical coverage angles (±6dB)		
1 Oct. Pink noise	500Hz	180°
1 Oct. Pink noise	1KHz	160°
1 Oct. Pink noise	2KHz	105°
1 Oct. Pink noise	4KHz	85°

Specifications acc. testing CNBOP / DNH	
Material / Color	Steel /Alu/ Ral 9010
Mounting	4 screws
Termination	Ceramic terminal
Weight w/transformer	1,2 kg
IP-rating	21C / 32C
Max. / min. amb. temp	55°C to -10°C / 90°C to -20°C
Rated / max. power	6W
Sensitivity 1W/4m	76 dB
SPL 6W/4m	84 dB
Freq. range	170 Hz – 13000Hz
Measurement environment	Free-field

Sensitivity 100Hz-10KHz 1/3 Oct. Pink noise 1W/4 Meters		
100Hz: 43dB	125Hz: 50dB	160Hz: 52dB
200Hz: 52dB	250Hz: 56dB	315Hz: 63dB
400Hz: 67dB	500Hz: 64dB	630Hz: 63dB
800Hz: 62dB	1KHz: 63dB	1250Hz: 62dB
1600Hz: 63dB	2KHz: 66dB	2500Hz: 66dB
3150Hz: 66dB	4KHz: 64dB	5KHz: 68dB
6300Hz: 64 dB	8KHz: 64dB	10KHz: 58dB

SAFE-561-54(T) has been tested in 100 hours max power (6W). The model does not deviate more than ± 3 dB from the original test value. The freq. response curve and impedance complies with the original. All SPL tests are performed in an anechoic chamber (<70m<sup>3</sup>).

### Installation, Operation and Maintenance Procedures

- Mount cabinet to wall/ceiling with four suitable screws. Connect cable to terminal and fasten front part to cabinet with two provided screws.
- For optimum performance, always use the correct voltage / power and operate within the frequency limits as stated.
- Do not open loudspeaker when energized.
- This loudspeaker is supplied with two years warranty against defective workmanship.



1438

DNH reserves the right to alter specifications without notice.