



DNH

HEAD OFFICE, NORWAY

DNH AS

Phone..... + 47 35 98 56 00

E-mail..... dnh@dnh.no

Web-Site..... www.dnh.no

ENGLAND

DNH WW Ltd

Phone..... + 44 1908 275 000

Fax..... + 44 1908 275 100

E-mail..... dnh@dnh.co.uk

GERMANY

DNH GmbH

Phone... + 49 040 6569 30-0

Fax..... + 49 040 6569 30-30

E-mail..... dnh@dnh.de

USA

DNH Speakers Inc

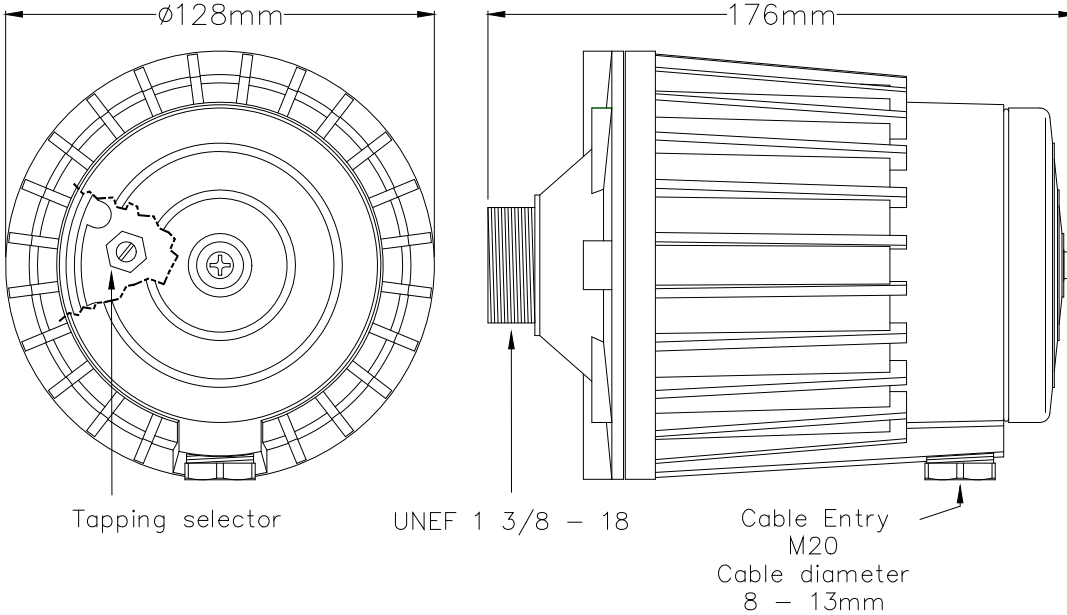
Phone..... + 1 484 494 5790

Fax..... + 1 484 494 5793

E-mail..... dnh@dnhspeakers.com

DST-100

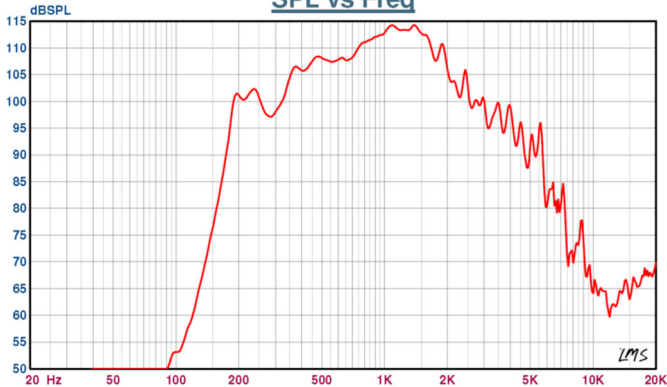
ISO 9001 CERTIFIED



100 Volt line Secondary switch tappings	
1/1	100 W
1/2	60 W
1/4	30 W
1/8	15 W
1/16	7,5 W

Sound pressure levels at 1W/1m w / DH-50

SPL vs Freq



Specifications w / DH-50

Material / Color	Aluminum alloy / RAL 7035
Mounting	Threaded UNEF 1 3/8 - 18
Termination	Inside screw terminals
Weight	2,4 kg
IP-rating	67
Max. / min. amb. temp	150°C / -50°C
Rated power	100 W
SPL 1W/1m	112 dB
SPL rated power	132 dB
Effective freq. range	200 – 5500 Hz
Dispersion (-6dB) 1kHz / 4kHz	42° / 25°
Directivity factor, Q1kHz/4kHz	8,5 / 14,2
Options	Impedances, colors, labels

Installation, Operation and Maintenance Procedures

- Driver unit DS-100 uses UNEF 1 3/8-18 thread.
- Remove lid, lead cable trough cable gland, and connect cable to terminal.
- Choose required power with tapping selector.
- Tighten cable gland and screw lid back on 2 Nm.
- For optimum performance, always use the correct voltage / power and operate within the frequency limits as stated.
- Do not open loudspeaker when energized.
- This loudspeaker is supplied with two years warranty against defective workmanship.

DNH reserves the right to alter specifications without notice.

