



DNH

HEAD OFFICE, NORWAY
DNH AS

Phone..... + 47 35 98 56 00
E-mail..... dnh@dnh.no
Web-Site..... www.dnh.no

ENGLAND
DNH WW Ltd

Phone..... + 44 1908 275 000
Fax..... + 44 1908 275 100
E-mail..... dnh@dnh.co.uk

GERMANY
DNH GmbH

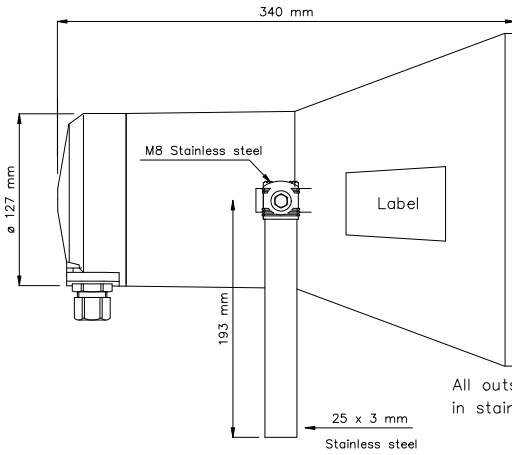
Phone... + 49 040 6569 30-0
Fax..... + 49 040 6569 30-30
E-mail..... dnh@dnh.de

USA
DNH Speakers Inc

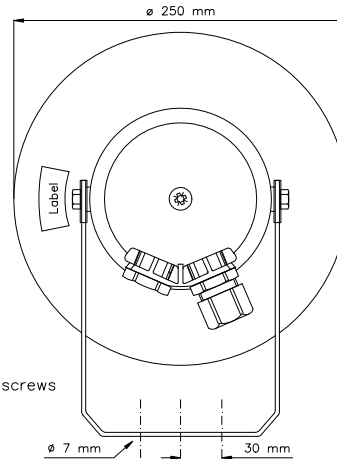
Phone..... + 1 484 494 5790
Fax..... + 1 484 494 5793
E-mail..... dnh@dnhspeakers.com

ISO 9001 CERTIFIED

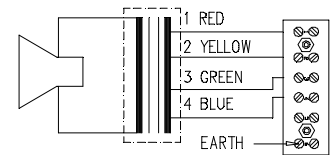
DSP-25EExmN(T)



Standard model delivered with two M20 Ex approved plastic blinding plugs.

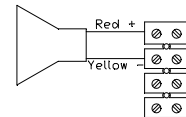


CIRCUIT DIAGRAM



| 100V line Primary nominal tapings | |
|-----------------------------------|--------|
| 1 : 2 | 25,0 W |
| 2 : 3 | 12,5 W |
| 3 : 4 | 6,0 W |
| 1 : 3 | 4,0 W |
| 2 : 4 | 2,0 W |
| 1 : 4 | 1,0 W |

Low impedance



Ex marking:

II 2G Ex db eb mb IIB+H₂ / IIC T5 Gb (Zone 1)

Certified:

IECEX, ATEX, Inmetro, UL/CSA, CCC +
Contact Sales for requested certificates and marking for product.

Sound pressure levels at 1W/1m RAV-67
SPL vs Freq



Specifications

| | IIB | IIC |
|-------------------------------|----------------------------------|------------|
| Material / Color | Anti-static polyamide / Black | |
| Mounting | Bracket | |
| Termination | e-chamber, screw terminals | |
| Weight w/transformer | 4,0 kg | |
| IP-rating (e-chamber) | 66 | |
| Max. / min. amb. temp | 55°C / -50°C | |
| Rated power | 25 W | |
| SPL 1W/1m | 108 dB | 105 dB |
| SPL rated power | 120 dB | 116 dB |
| Effective freq. range | 370 – 7500 Hz | 400-7000 |
| Dispersion (-6dB) 1kHz / 4kHz | 98° / 29° | 100° / 30° |
| Directivity factor, Q 1kHz | 3,7 | |
| Options | Impedances, labels, transformers | |

Installation, Operation and Maintenance Procedures

- Remove lid by one screw, lead cable through the cable gland and connect to terminal with required tapping.
- Screw lid back into place by one screw with a torque of 3Nm to assure the IP rating.
- Fasten bracket with one to three screws.
- To change the position of the loudspeaker, please adjust the standard U- bracket (by loosening / tightening the screws) as required.
- Use only certified/specified cable glands and blanking plugs, reflecting the same IP rating and temperature range as the loudspeaker.
- Standard model delivered with two M20 Ex approved plastic blinding plugs.
- For optimum performance, always use the correct voltage / power and operate within the frequency limits as stated.
- Do not open loudspeaker when energized.
- This loudspeaker is supplied with two years warranty against defective workmanship.

DNH reserves the right to alter specifications without notice.

