



DNH

HEAD OFFICE, NORWAY

DNH AS

Phone..... + 47 35 98 56 00

E-mail..... dnh@dnh.no

Web-Site..... www.dnh.no

ENGLAND

DNH WW Ltd

Phone..... + 44 1908 275 000

Fax..... + 44 1908 275 100

E-mail..... dnh@dnh.co.uk

GERMANY

DNH GmbH

Phone... + 49 040 6569 30-0

Fax..... + 49 040 6569 30-30

E-mail..... dnh@dnh.de

USA

DNH Speakers Inc

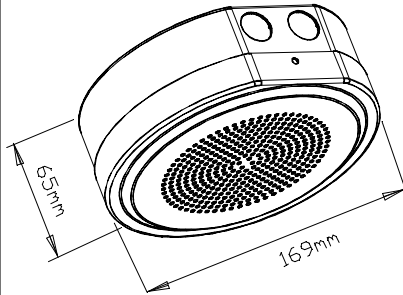
Phone..... + 1 484 494 5790

Fax..... + 1 484 494 5793

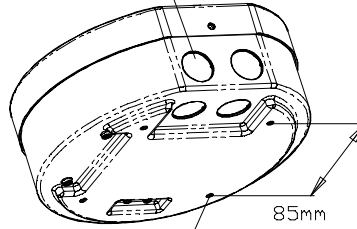
E-mail.. dnh@dnhspeakers.com

ISO 9001 CERTIFIED

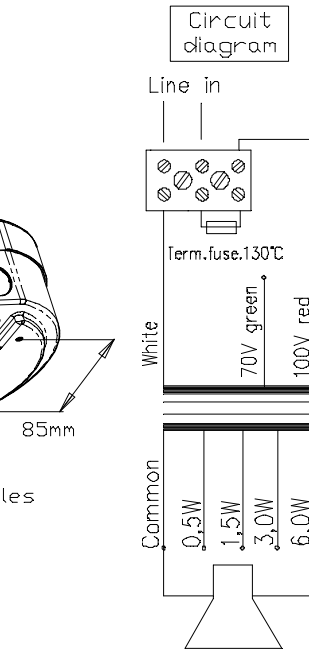
SAFE-561(T)



2+2 x M20 knock outs



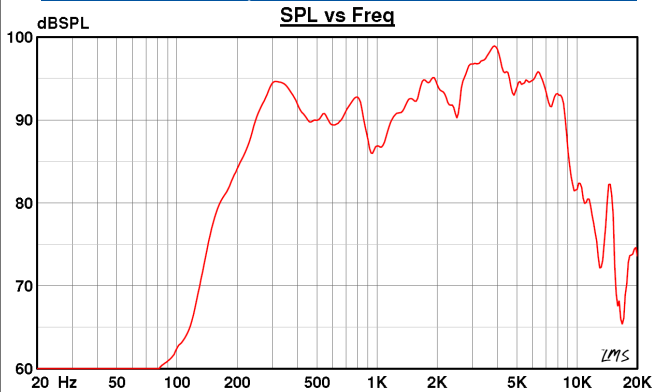
4 x ø4mm mounting holes



BS5839 Part 8 VA compliant

| Secondary nominal tapings | |
|---------------------------|-------|
| C : 6,0W | 6,0 W |
| C : 3,0W | 3,0 W |
| C : 1,5W | 1,5 W |
| C : 0,5W | 0,5 W |

Sound pressure levels at 1W/1m



Specifications

| | |
|-------------------------------|----------------------------|
| Material / Color | Steel / White Ral 9010 |
| Mounting | Four screws |
| Termination | Ceramic terminal |
| Weight w/transformer | 1,2 kg |
| IP-rating | 32C |
| Max. / min. amb. temp | 110°C / -20°C |
| Rated power | 6W |
| SPL 1W/1m | 90 dB |
| SPL rated power | 97 dB |
| Effective freq. range | 180 – 13000 Hz |
| Dispersion (-6dB) 1kHz / 4kHz | 187° / 77° |
| Directivity factor, Q | 1,9 |
| Options | Impedances, colors, labels |

Installation, Operation and Maintenance Procedures

- Mount cabinet to wall/ceiling with four suitable screws. Lead cable through cable gland.
- If 70V, replace red cable with the green cable in the terminal.
- Connect to terminal and select required tapping.
- Fasten the front part to the cabinet with two provided screws.
- For optimum performance, always use the correct voltage / power and operate within the frequency limits as stated.
- Transformer according to British standard 5839.
- Do not open loudspeaker when energized.
- This loudspeaker is supplied with two years warranty against defective workmanship.

DNH reserves the right to alter specifications without notice.

