



DNH

HEAD OFFICE, NORWAY
DNH AS

Phone..... + 47 35 98 56 00
E-mail..... dnh@dnh.no
Web-site..... www.dnh.no

ENGLAND
DNH WW Ltd

Phone..... + 44 1908 275 000
Fax..... + 44 1908 275 100
E-mail..... dnh@dnh.co.uk

GERMANY
DNH GmbH

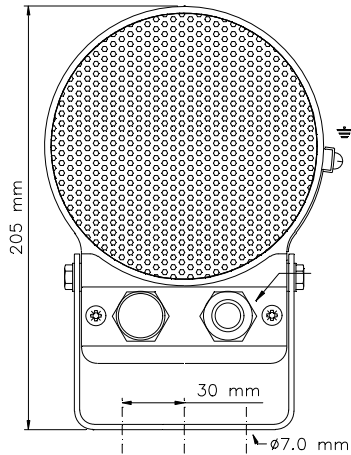
Phone... + 49 040 6569 30-0
Fax..... + 49 040 6569 30-30
E-mail..... dnh@dnh.de

CAPEEX-6(T)x2

USA
DNH Speakers Inc

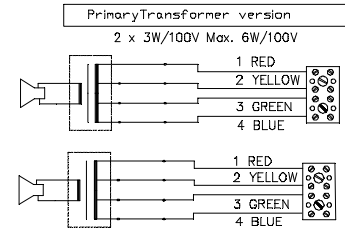
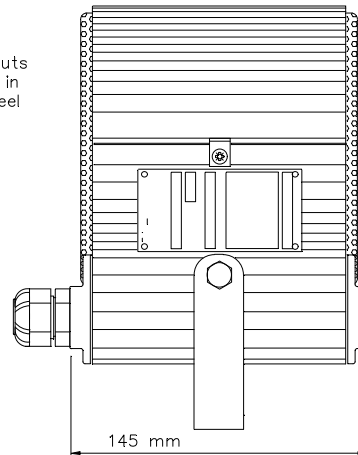
Phone..... + 1 484 494 5790
Fax..... + 1 484 494 5793
E-mail..dnh@dnhspeakers.com

ISO 9001 CERTIFIED

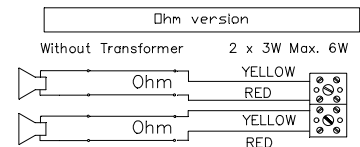


All outside nuts and screws in stainless steel

Standard model delivered with four M20 Ex approved plastic blinding plugs



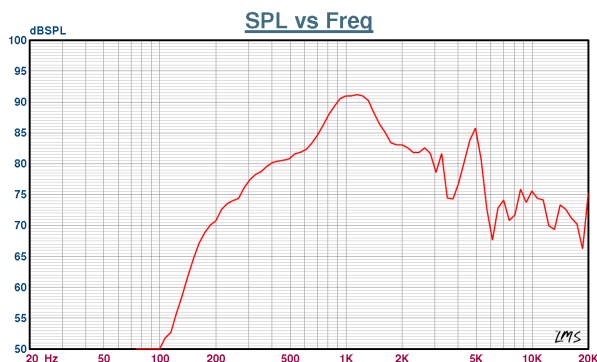
100V transformer Primary nominal tapings	
1 : 2	3,0 W
1 : 3	1,5 W
1 : 4	0,75 W



Certified by/ Certification code / Number: NEMKO / EEx de IIB+H2 T6 Gb / Nemko 10 ATEX 1054
IECEx NEM 11.0016



Sound pressure levels at 1W/1m



Specifications

Material / Color	Aluminum / anodized
Mounting	Foot bracket
Termination	e-chamber, screw terminals
Weight w/transformer	3,8 kg
IP-rating	67
Max. / min. amb. temp	40°C / -20°C
Rated / max. power	3 W / 6 W
SPL 1W/1m	81 dB
SPL rated power	85 dB
Effective freq. range	190 – 20000 Hz
Dispersion (-6dB) 1kHz / 4kHz	
Directivity factor, Q	
Options	Impedances, labels

Installation, Operation and Maintenance Procedures

- Two separate loudspeakers, two transformers and two terminals in one Ex housing (A & B system).
- Enter the e-chamber by loosening the screws on the lid and terminate the cables in the screw terminals.
- Connect the speakers to the same phase.
- Fasten loudspeaker to wall or ceiling with three screws.
- Fasten lid screws with a torque of 2Nm to assure the IP rating.
- For optimum performance, always use the correct voltage / power and operate within the frequency limits as stated.
- Use only certified/specified cable glands and blanking plugs.
- Standard model delivered with four M20 Ex approved plastic blinding plugs.
- Do not open loudspeaker when energized.
- Ex-loudspeakers must be earthed correctly using the specially marked screws.
- This loudspeaker is supplied with two years warranty against defective materials and workmanship.

DNH reserves the right to alter specifications without notice.

