



# DNH

HEAD OFFICE, NORWAY

**DNH AS**

Phone..... + 47 35 98 56 00

Fax..... + 47 35 98 56 10

Web-site..... [www.dnh.no](http://www.dnh.no)

ENGLAND

**DNH WW Ltd**

Phone..... + 44 1908 275 000

Fax..... + 44 1908 275 100

E-mail..... [dnh@dnh.co.uk](mailto:dnh@dnh.co.uk)

GERMANY

**DNH GmbH**

Phone... + 49 040 6569 30-0

Fax..... + 49 040 6569 30-30

E-mail..... [dnh@dnh.de](mailto:dnh@dnh.de)

USA

**DNH Speakers Inc**

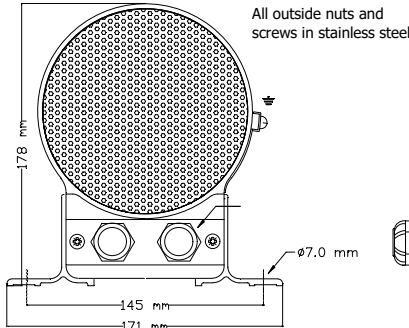
Phone..... + 1 484 494 5790

Fax..... + 1 484 494 5793

E-mail.. [dnh@dnhspeakers.com](mailto:dnh@dnhspeakers.com)

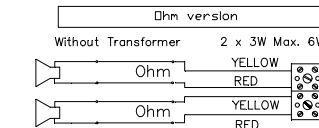
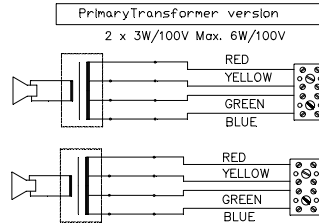
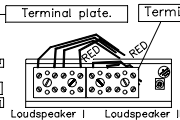
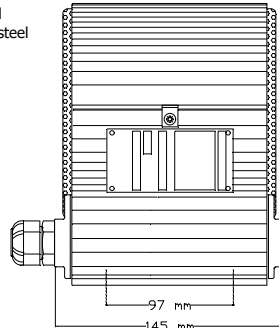
## CAREEX-6(T) x 2

ISO 9001 CERTIFIED



Standard model delivered with four M20 Ex approved plastic blinding plugs

All outside nuts and screws in stainless steel



### 100V line transformer Primary nominal tapings

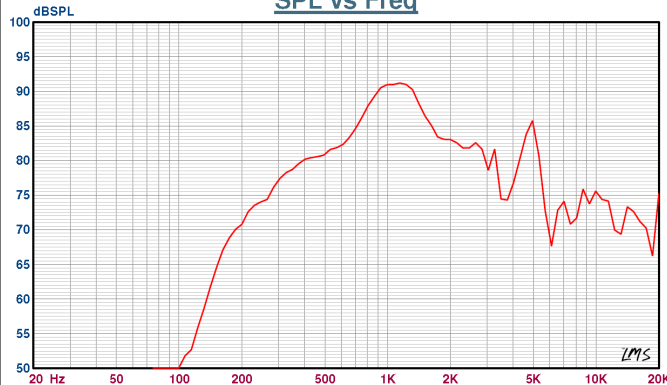
Red : Yellow	3,0 W
Red : Green	1,5 W
Red : Blue	0,75 W

1 = Red, 2 = Yellow  
3 = Green, 4 = Blue

Certified by/ Certification code / Number: NEMKO / EEx de IIB+H2 T6 Gb / Nemko 10 ATEX 1054  
IECEx NEM 11.0016



### Sound pressure levels at 1W/1m SPL vs Freq



### Specifications

Material / Color	Aluminum / anodized
Mounting	Foot Bracket
Termination	e-chamber, screw terminals
Weight w/transformer	3,8 kg
IP-rating	67
Max. / min. amb. temp	40°C / -20°C
Rated / max. power	3 W / 2x3 W
SPL 1W/1m	81 dB
SPL rated power	85 dB
Effective freq. range	190 – 20000 Hz
Dispersion (-6dB) 1kHz / 4kHz	NA
Directivity factor, Q	NA
Options	Impedances, labels

### Installation, Operation and Maintenance Procedures

- Two separate loudspeakers, two transformers and two terminals in one Ex housing. (A & B system)
- Enter the e-chamber by loosening the screws on the lid and terminate cable in the screw terminal.
- Connect the speakers to the same phase.
- If earthing, earth correctly using the specially marked screws.
- Fasten lid screws with a torque of 2Nm to assure the IP rating.
- Secure the loudspeaker to ceiling or wall by four screws by use of the extruded aluminum brackets on each side.
- For optimum performance, always use the correct voltage / power and operate within the frequency limits as stated.
- Use only certified / specified cable glands and blinding plugs.
- Standard model delivered with four M20 Ex approved plastic blinding plugs.
- Do not open loudspeaker when energized.
- This loudspeaker is supplied with two years warranty against defective workmanship.



DNH reserves the right to alter specifications without notice.