



DNH

HEAD OFFICE, NORWAY

DNH AS

Phone..... + 47 35 98 56 00

E-mail..... dnh@dnh.no

Web-Site..... www.dnh.no

ENGLAND

DNH WW Ltd

Phone..... + 44 1908 275 000

Fax..... + 44 1908 275 100

E-mail..... dnh@dnh.co.uk

GERMANY

DNH GmbH

Phone... + 49 040 6569 30-0

Fax..... + 49 040 6569 30-30

E-mail..... dnh@dnh.de

USA

DNH Speakers Inc

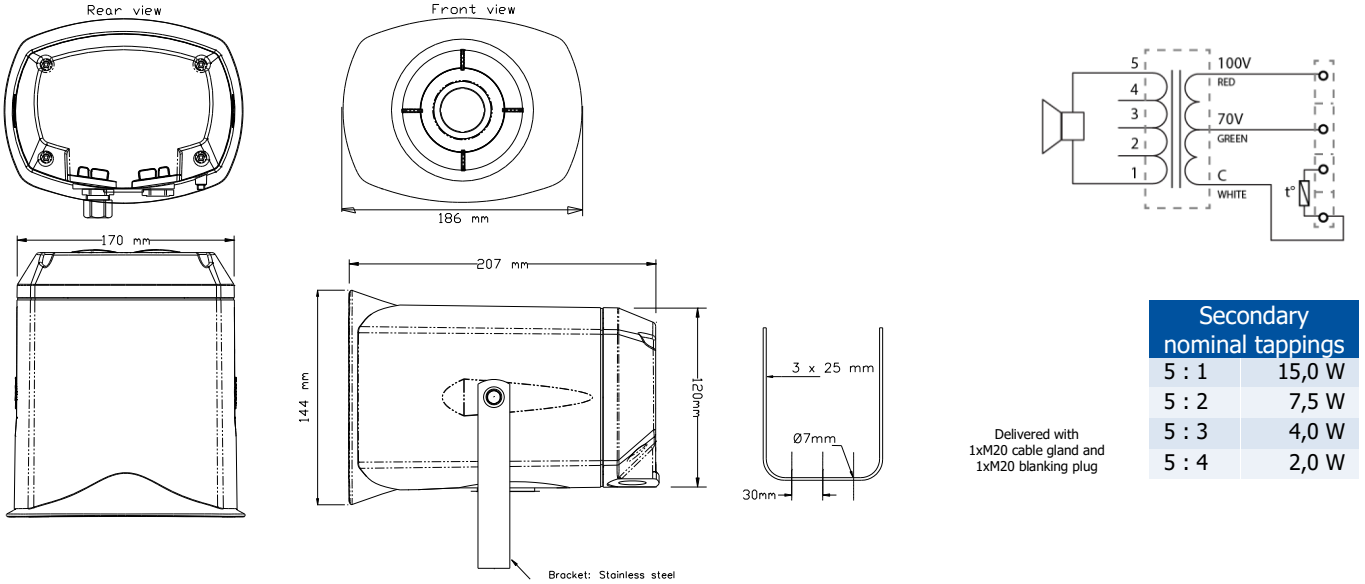
Phone..... + 1 484 494 5790

Fax..... + 1 484 494 5793

E-mail..... dnh@dnhspeakers.com

ISO 9001 CERTIFIED

DSP-15T-MED



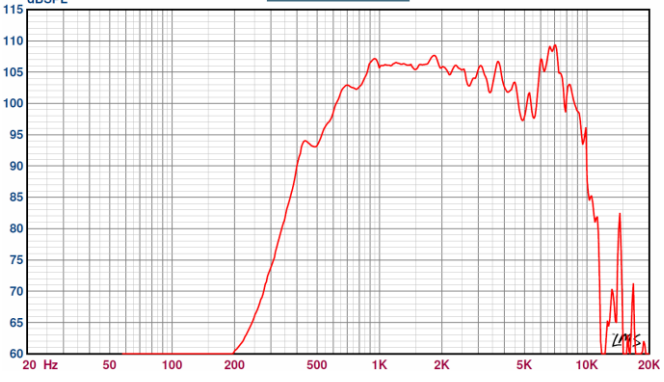
Secondary nominal tappings	
5 : 1	15,0 W
5 : 2	7,5 W
5 : 3	4,0 W
5 : 4	2,0 W

Delivered with
1xM20 cable gland and
1xM20 blanking plug

Bracket: Stainless steel

Certified:
MED B
Contact Sales for requested certificates and marking for product.

Sound pressure levels at 1W/1m (MP-28-54)
SPL vs Freq



Specifications	
Material / Color	ASA / RAL 7035
Mounting	Bracket
Termination	screw terminals
Weight w/transformer	1,8 kg
IP-rating	67
Max. / min. amb. temp	90°C / -50°C
Rated / max. power	15 W / 20 W
SPL 1W/1m	106 dB
SPL rated power	117 dB
Effective freq. range	350 – 11000 Hz
Dispersion (-6dB) 1kHz / 4kHz	200° / 47°
Directivity factor, Q1kHz/4kHz	1,8 / 7,6
Safe Compass distance	1,25 m
Options	colors, labels

Installation, Operation and Maintenance Procedures

- Remove lid by four screws, lead cable through the cable gland and connect to terminal (White: Green 70V or White: Red 100V)
- Select required tapping on the transformer.
- Screw lid back into place by four screws with a torque of 1.3 – 1.8 Nm to assure the IP rating.
- To change the position of the loudspeaker, please adjust the standard U- bracket (by loosening / tightening the screws) as required.
- DSP-15(T) can be supplied with three different bracket systems, according to customer requirements.
- For optimum performance, always use the correct voltage / power and operate within the frequency limits as stated.
- Do not open loudspeaker when energized.
- This loudspeaker is supplied with a two years warranty against defective workmanship.

DNH reserves the right to alter specifications without notice

