



DNH

HEAD OFFICE, NORWAY

DNH AS

Phone..... + 47 35 98 56 00

E-mail..... dnh@dnh.no

Web-Site..... www.dnh.no

ENGLAND

DNH WW Ltd

Phone..... + 44 1908 275 000

Fax..... + 44 1908 275 100

E-mail..... dnh@dnh.co.uk

GERMANY

DNH GmbH

Phone... + 49 040 6569 30-0

Fax..... + 49 040 6569 30-30

E-mail..... dnh@dnh.de

USA

DNH Speakers Inc

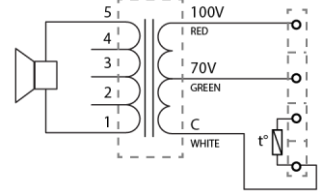
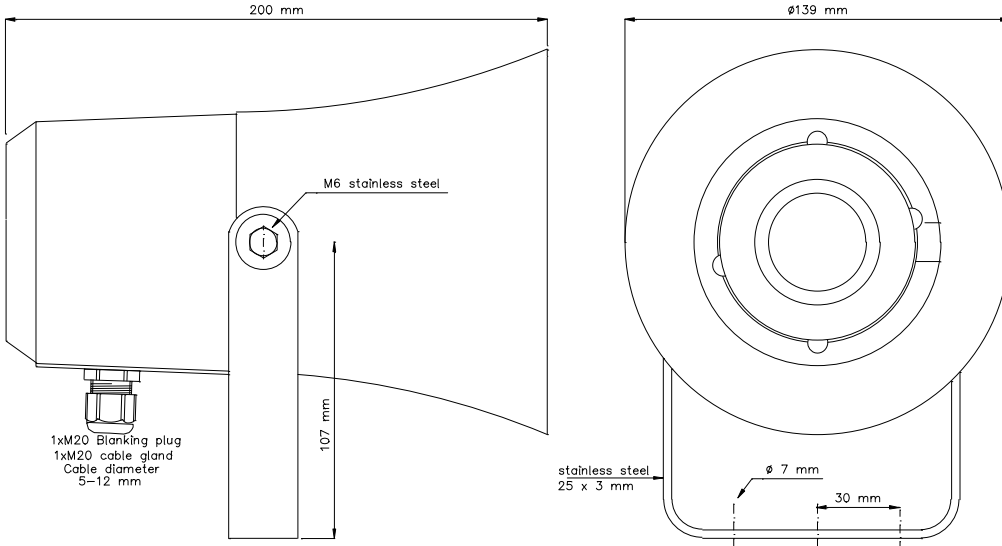
Phone..... + 1 484 494 5790

Fax..... + 1 484 494 5793

E-mail..... dnh@dnhspeakers.com

HP-10-54T-MED

ISO 9001 CERTIFIED



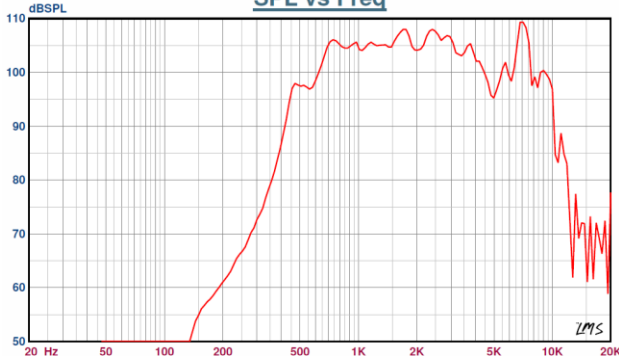
Tested acc. To EN54-24 Type: B
Manufactured by DNH A/S
Kragerø, Norway
15 1438-CPR-0408

T-48 transformer max 10W

C : 1	10 W, Imp. 1064 Ω
C : 2	5 W, Imp. 1923 Ω
C : 3	2,5 W, Imp. 3333 Ω
C : 4	1 W, Imp. 7143 Ω

Sound pressure levels at 1W/1m MP-28-54

SPL vs Freq



Horizontal / vertical coverage angles (- 6dB)

1 Oct. Pink noise	500Hz	360°
1 Oct. Pink noise	1KHz	360°
1 Oct. Pink noise	2KHz	100°
1 Oct. Pink noise	4KHz	65°

Specifications acc. testing CNBOP / DNH

Material / Color	Ronfalin / RAL 7035
Mounting	Bracket
Termination	Screw terminal
Weight w/transformer	1,1 kg
IP-rating	33C / 66 and 67
Max. / min. amb. temp	70°C to -25°C / 90°C to -50°C
Rated / max. power	10 W
Sensitivity 1W/4m	87 dB
SPL 10W/4m	96 dB
Freq. range	100 Hz – 11000Hz
Safe Compass distance	5 m
Measurement environment	Free-field
Active equalization of +3dB required at 5000 1/3 octave band	

Sensitivity 315Hz-10KHz 1/3 Oct. Pink noise 1W/4 Meters

315Hz: 50 dB	400Hz: 62 dB	500Hz: 68 dB
630Hz: 71 dB	800Hz: 77 dB	1KHz: 78 dB
1250Hz: 77 dB	1600Hz: 77 dB	2KHz: 77 dB
2500Hz: 78 dB	3150Hz: 76 dB	4KHz: 74 dB
5KHz: 72 dB	6300Hz: 78 dB	8KHz: 74 dB
10KHz: 65 dB		

Installation, Operation and Maintenance Procedures

- Unscrew lid, lead cable through cable gland, connect to terminal and select required tapping on transformer.
- Fasten lid with a torque of 1,5 Nm.
- Fasten bracket to the wall or ceiling with 1 to 3 screws.
- To change the position of the loudspeaker, please adjust the bracket (by loosening / tightening the screws) as required.
- For optimum performance, always use the correct voltage / power and operate within the frequency limits as stated.
- Do not open loudspeaker when energized.
- This loudspeaker is supplied with two years warranty against defective materials and workmanship.

DNH reserves the right to alter specifications without notice

