

DNH

Loudspeakers



BA-56EExeNT-MED

Ex-ceiling loudspeaker



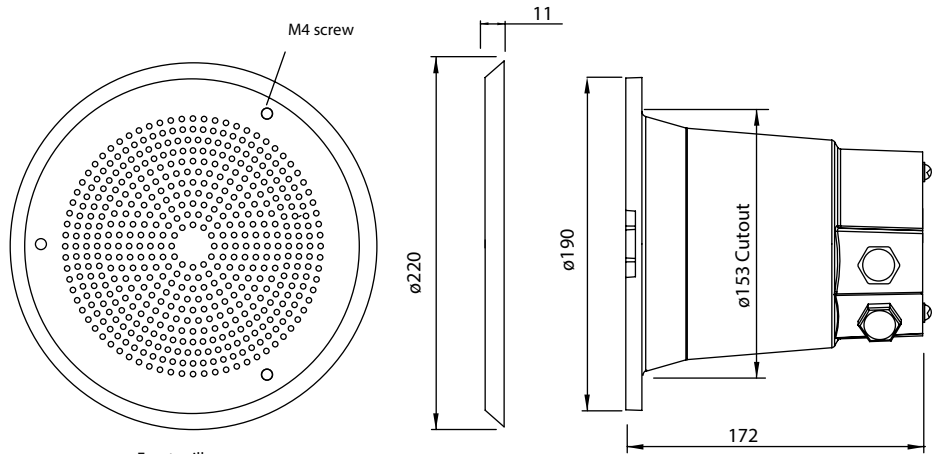


Fig. 1 - Technical drawing

All units in mm

100V TRANSFORMER tappings (standard)	
1 : 2	6,0 W
2 : 3	3,0 W
3 : 4	1,5 W
1 : 3	1,0 W
2 : 4	0,5 W
1 : 4	0,3 W

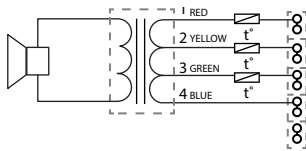


Fig. 2 - Circuit Diagram

TECHNICAL SPECIFICATIONS	
Material	Anodized Aluminium
Color	RAL 9010 (front)
Mounting	3 screws
Cable entry (standard)	2xM20 blanking plugs
Termination (standard)	Push terminal (e-chamber)
Weight	3,0 kg
IP-rating	54
Ambient Temp. Min/Max	-20°C / 50°C
Rated (standard) / Max. Power	6W / 6W
SPL 1W/1m	88 dB
SPL rated power	95 dB
Freq. range	150 - 20000 Hz
Effective freq. range	160 - 15000 Hz
Dispersion (-6dB) 1kHz / 4kHz	113° / 25°
Directivity factor, Q1kHz/4kHz	3,2 / 14,1
Safe-Compass Distance	2,1m
Options	Transformer, colors, cable glands, terminals

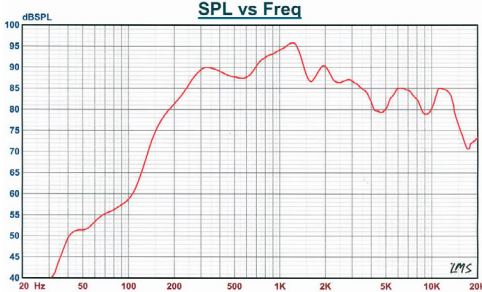


Fig. 3 - SPL at 1W/1m

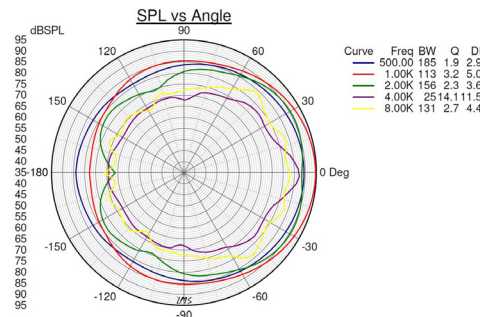


Fig. 4 - Polar plot 1W/1m

APPROVALS AND CERTIFICATIONS	
Ex-marking	Ex II 2 G Ex db eb IIB+H ₂ T6 Cb
IECEX	IECEX DNV 22.0057
ATEX	DNV 22 ATEX 47745
MED	MEDB00008NV



Copy of all certificates can be found by scanning QR-code or going to the DNH web page: www.dnh.no

DNH reserves the right to alter specifications without notice

INSTALLATION, OPERATION AND MAINTENANCE PROCEDURES:

WARNING: Do not open the Ex-loudspeaker when the speaker is energized.

1. Open the e-chamber by loosening the screws on the lid.
2. Use only appropriate ATEX certified 'Ex eb' cable glands/blind plugs reflecting the same specifications as the rest of the loudspeaker with respect to IP rating and environmental temperature.
3. Lead cable through cable gland and connect to the terminal according to required tapping.
4. For screw terminals, all terminal screws, used and unused, shall be tightened down to between:
BK – TUV 18 ATEX 8209U: 0,5Nm and 0,7Nm
MK - TUV 18 ATEX 8209U: 0,4Nm and 0,45Nm
5. If the Ex-loudspeaker is to be earthed use marked earth screw inside the termination chamber and/or on the outside of the loudspeaker housing.
6. The lid screws for the termination chamber should be fastened with a torque of 2Nm to ensure the IP-rating
7. Secure the loudspeaker to ceiling or wall by three screws (not enclosed).
8. Mount the grill to the speaker with three self-tapping screws (enclosed). Max 3Nm.
9. Be sure that the Ex-loudspeaker is connected to the correct voltage, frequency and power stated on labels on the model.
10. Be sure that the environmental temperature is within the certified temperature range.
11. Keep the loudspeaker clean of foreign elements, such as chemicals, soaps, acids etc.
12. Optional MF model (maintenance free) has moulded e-chamber and fitted with permanent cable. Constructed not to be opened.
13. BA-56EExeN(T) is certified according to Directive 2014/34/EU and EN IEC 60079-0: 2018, EN 60079-1: 2014 and EN 60079-7: 2015/A1:2018.
14. The loudspeaker is supplied with two years warranty against defective workmanship.





Makes the world sound

Design, manufacture and quality by

DNH A/S

Gruveveien 2-4
3770 Kragerø
Norway

Tel: +47 35 98 56 00
Mail: dnh@dnh.no
www.dnh.no

SUBSIDIARIES

DNH GmbH

Neumann-Reichardt-Str. 27-33
22041 Hamburg
Germany

Tel: +49 (0) 40 - 65 69 30-0
Mail: dnh@dnh.de
www.dnh.de

DNH WW Ltd.

31 Clarke Rd.
Mount Farm, Bletchley
Milton Keynes, MK1 1LG
England

Tel: +44 1908 275 000
Mail: dnh@dnh.co.uk
www.dnh.no

DNH Speakers Inc.

900 Calcon Hook Road, Bay 16
Sharon Hill
19079 PA
USA

Tel: +1 484-494-5790
Mail: dnh@dnhspeakers.com
www.dnh.no