



DNH

HEAD OFFICE, NORWAY

DNH AS

Phone..... + 47 35 98 56 00

E-mail..... dnh@dnh.no

Web-Site..... www.dnh.no

ENGLAND

DNH WW Ltd

Phone..... + 44 1908 275 000

Fax..... + 44 1908 275 100

E-mail..... dnh@dnh.co.uk

GERMANY

DNH GmbH

Phone... + 49 040 6569 30-0

Fax..... + 49 040 6569 30-30

E-mail..... dnh@dnh.de

SAFE-m6(T)

USA

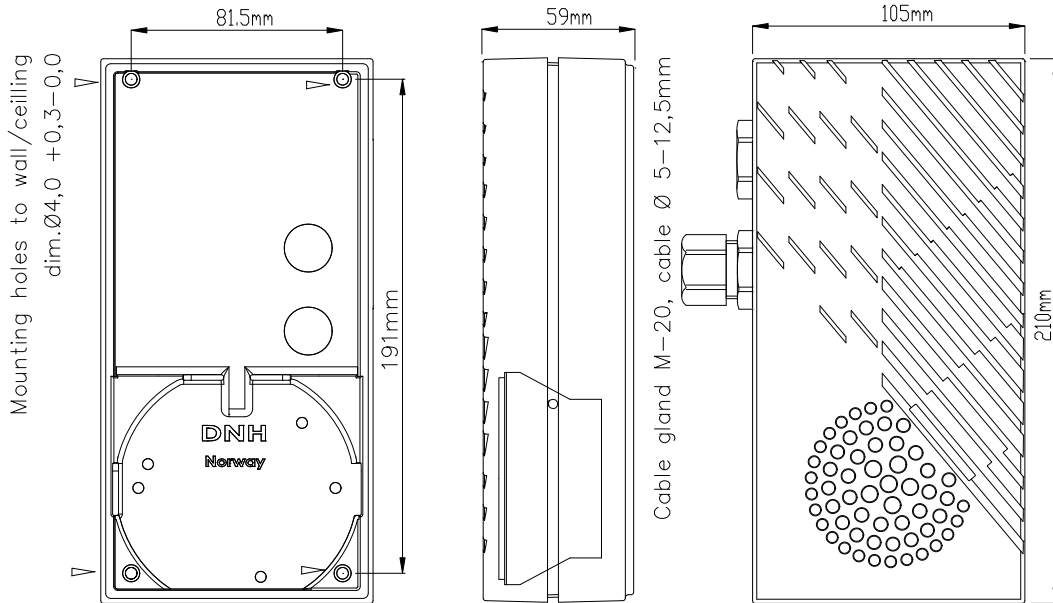
DNH Speakers Inc

Phone..... + 1 484 494 5790

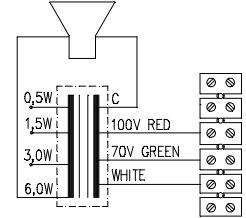
Fax..... + 1 484 494 5793

E-mail..... dnh@dnhspeakers.com

ISO 9001 CERTIFIED



CIRCUIT DIAGRAM



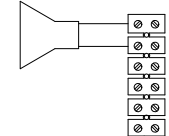
Primary connection

White:Green	70V
White:Red	100V

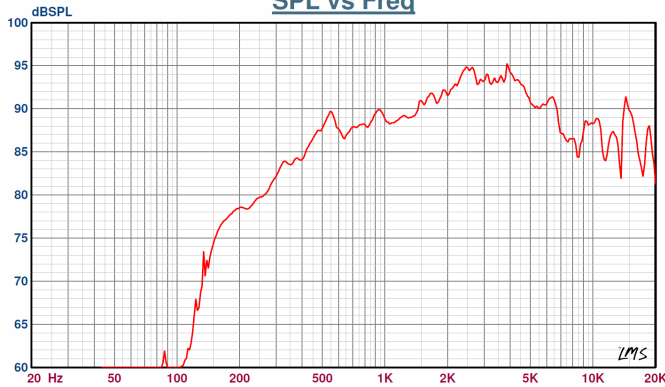
Secondary nominal tapings

C : 6W	6,0 W
C : 3W	3,0 W
C : 1,5W	1,5 W
C : 0,5W	0,5 W

Low impedance



Sound pressure levels at 1W/1m SPL vs Freq



Specifications

Material / Color	Aluminum / RAL9010 or RAL3000
Mounting	4 screws
Termination	Screw terminal
Weight w/transformer	1,35 kg
IP-rating	56(Terminal chamber)
Max. / min. amb. temp	100°C / -40°C
Rated power	6 W
SPL 1W/1m	89 dB
SPL rated power	97 dB
Effective freq. range	160 – 20000 Hz
Dispersion (-6dB) 1kHz / 4kHz	165° / 110°
Options	Impedances, colors, labels

Installation, Operation and Maintenance Procedures

- Open the cabinet using the enclosed Allen key to loosen the screws on three sides of the cabinet.
- Lead cable through the cable gland and connect to terminal 70V (white – green) or 100V (white – red).
- Choose required power on the transformer.
- Fasten the mounting plate to wall or ceiling by four screws.
- Close the cabinet by fasten three screws on three sides of the cabinet.
- For optimum performance, always use the correct voltage / power and operate within the frequency limits as stated.
- Do not open loudspeaker when energized.
- This loudspeaker is supplied with two years warranty against defective workmanship.

DNH reserves the right to alter specifications without notice.

