



# DNH

HEAD OFFICE, NORWAY

**DNH AS**

Phone..... + 47 35 98 56 00

E-mail..... dnh@dnh.no

Web-site..... www.dnh.no

ENGLAND

**DNH WW Ltd**

Phone..... + 44 1908 275 000

Fax..... + 44 1908 275 100

E-mail..... dnh@dnh.co.uk

GERMANY

**DNH GmbH**

Phone... + 49 040 6569 30-0

Fax..... + 49 040 6569 30-30

E-mail..... dnh@dnh.de

USA

**DNH Speakers Inc**

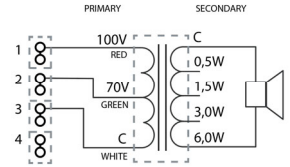
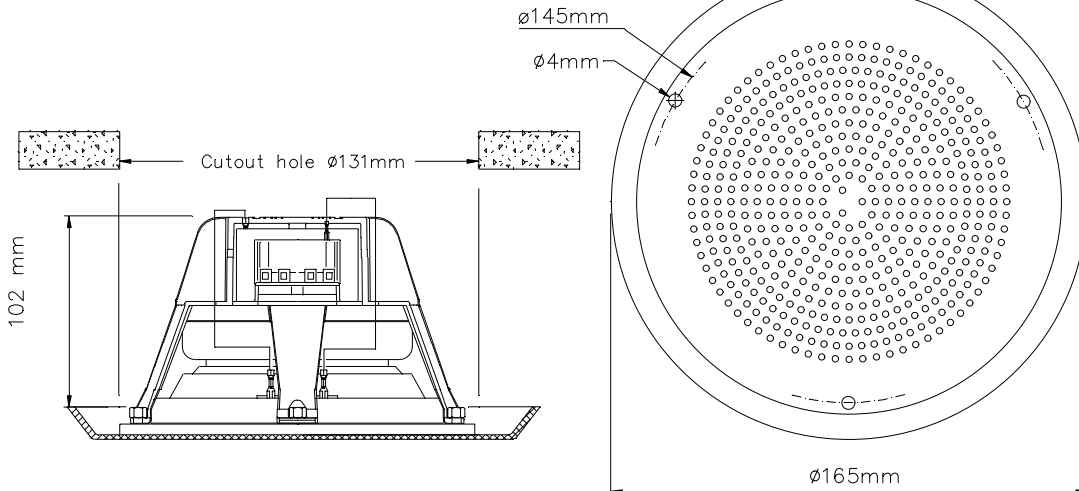
Phone..... + 1 484 494 5790

Fax..... + 1 484 494 5793

E-mail..... dnh@dnhspeakers.com

ISO 9001 CERTIFIED

## B-560(T)



70/100 Volt combined transformer  
Primary connections

White : Green 70 V

White : Red 100 V

Secondary nominal tapings

C : 6W 6,0 W

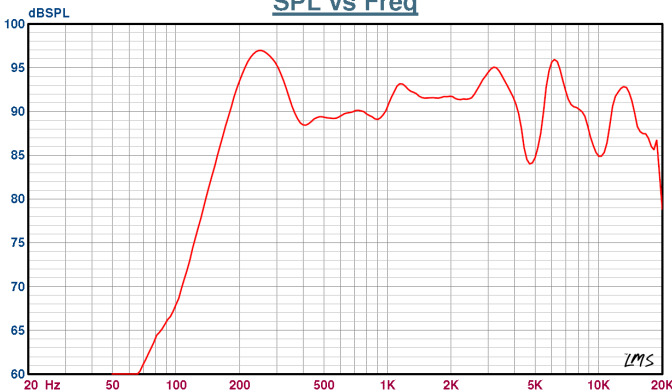
C : 3W 3,0 W

C : 1,5W 1,5 W

C : 0,5W 0,5 W



Sound pressure levels at 1W/1m  
**SPL vs Freq**



**Specifications**

Material / Color	PA V0/Aluminum/RAL9010
Mounting	3 screws
Termination	Spring clamps
Weight w/transformer	0,63 kg
Max. / min. amb. temp	90°C / -20°C
Rated power	6 W
SPL 1W/1m	90 dB
SPL rated power	97 dB
Effective freq. range	150 – 20000 Hz
Dispersion (-6dB) 1kHz / 4kHz	160° / 55° (baffle)
Options	Impedances, colors, labels

### Installation, Operation and Maintenance Procedures

- Connect to terminal (70V or 100V) and select required tapping into the transformer.
- Fit complete loudspeaker into ceiling by three screws.
- For optimum performance, always use the correct voltage / power and operate within the frequency limits as stated.
- Do not open loudspeaker when energized.
- This loudspeaker is supplied with two years warranty against defective workmanship.

DNH reserves the right to alter specifications without notice.

