



DNH

HEAD OFFICE, NORWAY
DNH AS

Phone..... + 47 35 98 56 00
E-mail..... dnh@dnh.no
Web-Site..... www.dnh.no

ENGLAND
DNH WW Ltd

Phone..... + 44 1908 275 000
Fax..... + 44 1908 275 100
E-mail..... dnh@dnh.co.uk

GERMANY
DNH GmbH

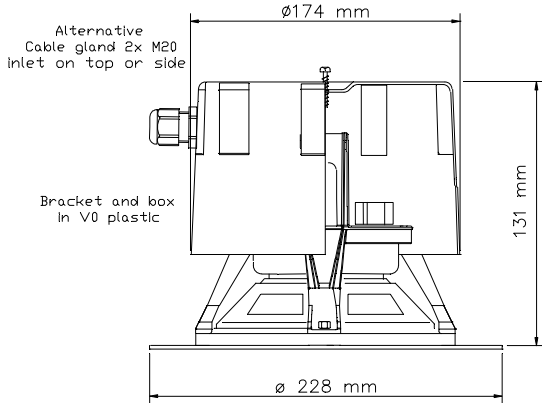
Phone... + 49 040 6569 30-0
Fax..... + 49 040 6569 30-30
E-mail..... dnh@dnh.de

USA
DNH Speakers Inc

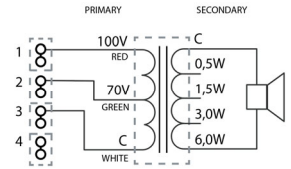
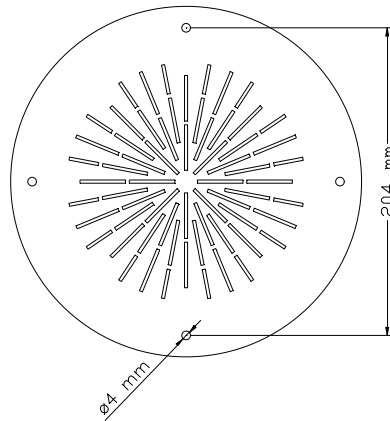
Phone..... + 1 484 494 5790
Fax..... + 1 484 494 5793
E-mail..... dnh@dnhspeakers.com

BF-620(T)

ISO 9001 CERTIFIED



Rec. ceiling hole : ϕ 180



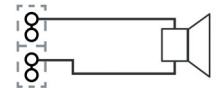
70/100 Volt combined transformer
Primary connections

White : Green 70 V
White : Red 100 V

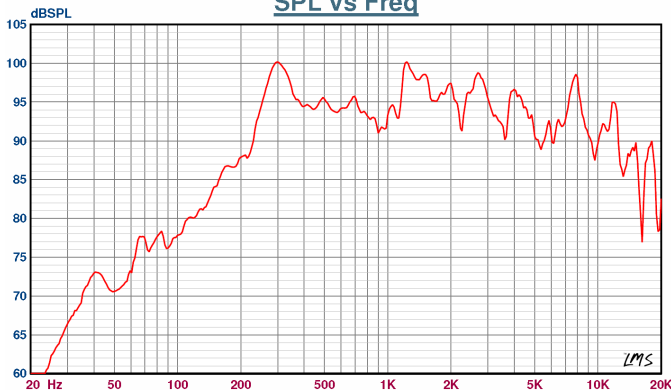
Secondary nominal tapings

C : 6	6,0 W
C : 3	3,0 W
C : 1,5	1,5 W
C : 0,5	0,5 W

LOW IMPEDANCE



Sound pressure levels at 1W/1m
SPL vs Freq



Specifications

Material / Color	Aluminum/ RAL9010 V0 plastic box
Mounting	4 screws trough grille
Termination	Spring clamp
Weight w/transformer	1,2 kg
IP-rating	42
Max. / min. amb. temp	90°C / -20°C
Rated power	6 W
SPL 1W/1m	92 dB
SPL rated power	99 dB
Effective freq. range	140 – 20000 Hz
Dispersion (-6dB) 1kHz / 4kHz	150° / 85° (baffle)
Options	Impedances, colors, labels

Installation, Operation and Maintenance Procedures

- Lead the cable trough the cable gland into plastic-box.
- Connect to terminal (70V or 100V) and select required tapping into the transformer.
- Screw box to loudspeaker mounting bracket by one screw.
- Install loudspeaker in wall or ceiling by four screws
- For optimum performance, always use the correct voltage / power and operate within the frequency limits as stated.
- Do not open loudspeaker when energized.
- This loudspeaker is supplied with two years warranty against defective workmanship.

DNH reserves the right to alter specifications without notice.

