



# DNH

HEAD OFFICE, NORWAY

**DNH AS**

Phone..... + 47 35 98 56 00

E-mail..... dnh@dnh.no

Web-Site..... www.dnh.no

ENGLAND

**DNH WW Ltd**

Phone..... + 44 1908 275 000

Fax..... + 44 1908 275 100

E-mail..... dnh@dnh.co.uk

GERMANY

**DNH GmbH**

Phone... + 49 040 6569 30-0

Fax..... + 49 040 6569 30-30

E-mail..... dnh@dnh.de

## BK-560CR(T)

USA

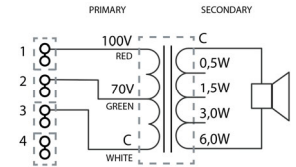
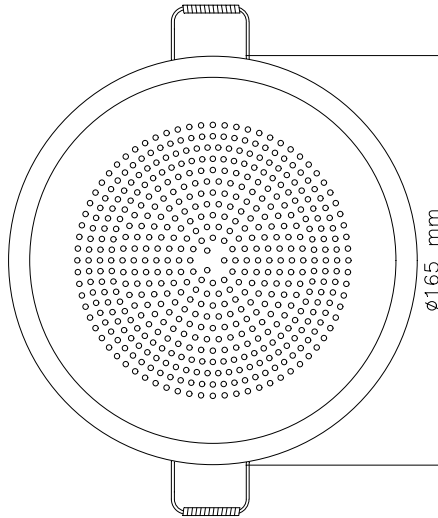
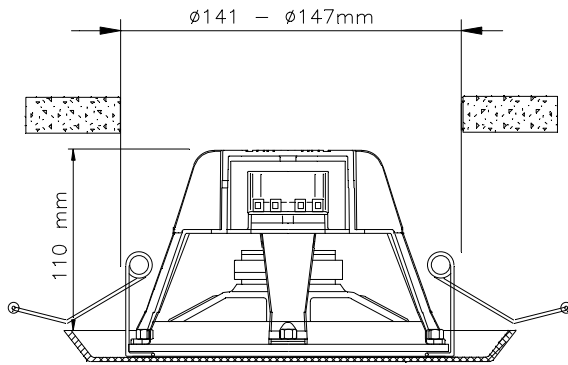
**DNH Speakers Inc**

Phone..... + 1 484 494 5790

Fax..... + 1 484 494 5793

E-mail..... dnh@dnhspeakers.com

ISO 9001 CERTIFIED



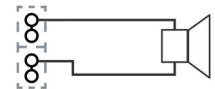
70/100 Volt combined transformer  
Primary connections

White : Green 70 V  
White : Red 100 V

Secondary nominal tapings

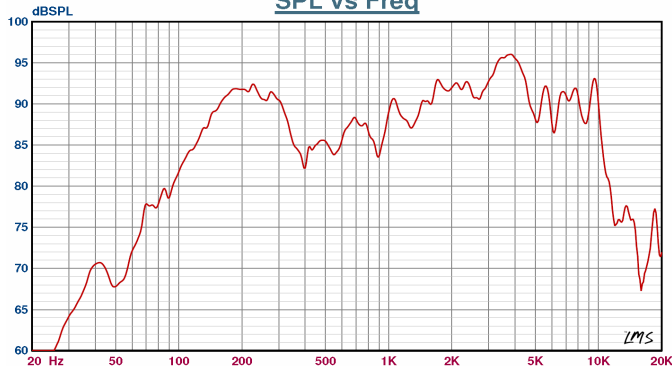
C : 6	6,0 W
C : 3	3,0 W
C : 1,5	1,5 W
C : 0,5	0,5 W

LOW IMPEDANCE



Sound pressure levels at 1W/1m

SPL vs Freq



Specifications

Material / Color	Aluminum / RAL9010
Mounting	Springs
Termination	Spring clamp
Weight w/transformer	0,9 kg
Max. / min. amb. temp	90°C / -20°C
Rated power	6 W
SPL 1W/1m	88 dB
SPL rated power	95 dB
Effective freq. range	70 – 12000 Hz
Dispersion (-6dB) 1kHz / 4kHz	150° / 70°
Options	Impedances, colors, labels

### Installation, Operation and Maintenance Procedures

- Install loudspeaker grille by bending back two springs and insert into the hole.
- BK-560CR(T) is designed for clean room applications.
- Connect cable to terminal 70V (white – green) or 100V (white – red).
- For optimum performance, always use the correct voltage / power and operate within the frequency limits as stated.
- Do not open loudspeaker when energized.
- This loudspeaker is supplied with two years warranty against defective workmanship.

DNH reserves the right to alter specifications without notice.

