



# DNH

HEAD OFFICE, NORWAY

**DNH AS**

Phone..... + 47 35 98 56 00

E-mail..... dnh@dnh.no

Web-Site..... www.dnh.no

ENGLAND

**DNH WW Ltd**

Phone..... + 44 1908 275 000

Fax..... + 44 1908 275 100

E-mail..... dnh@dnh.co.uk

GERMANY

**DNH GmbH**

Phone... + 49 040 6569 30-0

Fax..... + 49 040 6569 30-30

E-mail..... dnh@dnh.de

## BK-560(T)

USA

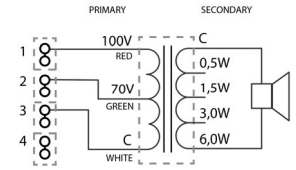
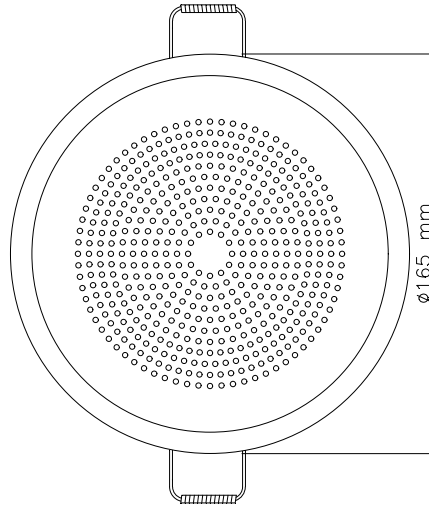
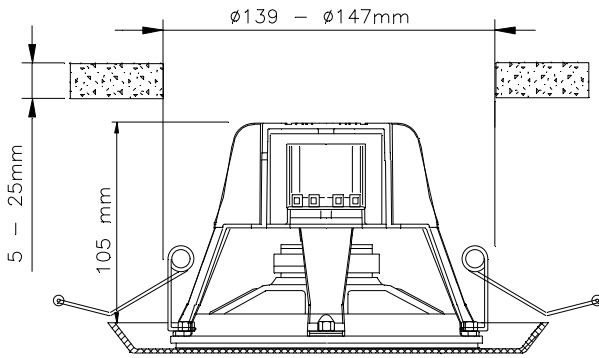
**DNH Speakers Inc**

Phone..... + 1 484 494 5790

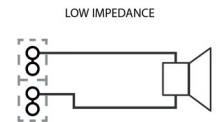
Fax..... + 1 484 494 5793

E-mail..... dnh@dnhspeakers.com

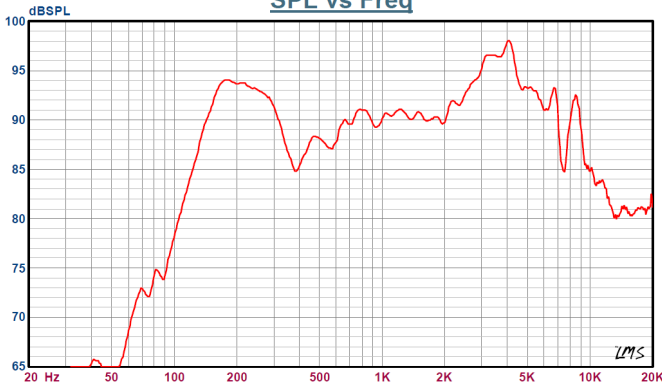
ISO 9001 CERTIFIED



<b>70/100 Volt combined transformer</b>	
<b>Primary connections</b>	
White : Green	70 V
White : Red	100 V
<b>Secondary nominal tapings</b>	
C : 6W	6,0 W
C : 3W	3,0 W
C : 1,5W	1,5 W
C : 0,5W	0,5 W



Sound pressure levels at 1W/1m w/P-5/15 PS  
**SPL vs Freq**



### Specifications

Material / Color	PA V0/Aluminum / RAL9010
Mounting	Springs
Termination	Spring clamps
Weight w/transformer	0,6 kg
Max. / min. amb. temp	90°C / -20°C
Rated power	6 W
SPL 1W/1m	90 dB
SPL rated power	97 dB
Effective freq. range	130 – 15000 Hz
Dispersion (-6dB) 1kHz / 4kHz	160° / 55° (Baffle)
Options	Impedances, colors, labels

### Installation, Operation and Maintenance Procedures

- Connect to terminal (70V or 100V) and select required tapping into the transformer.
- Install loudspeaker grille by bending back two spring clamps and inserting into the ceiling hole.
- For optimum performance, always use the correct voltage / power and operate within the frequency limits as stated.
- Do not open loudspeaker when energized
- This loudspeaker is supplied with two years warranty against defective workmanship.

DNH reserves the right to alter specifications without notice.

