



# DNH

HEAD OFFICE, NORWAY

**DNH AS**

Phone..... + 47 35 98 56 00

Fax..... + 47 35 98 56 10

Web-Site..... [www.dnh.no](http://www.dnh.no)

ENGLAND

**DNH WW Ltd**

Phone..... + 44 1908 275 000

Fax..... + 44 1908 275 100

E-mail..... [dnh@dnh.co.uk](mailto:dnh@dnh.co.uk)

GERMANY

**DNH GmbH**

Phone... + 49 040 6569 30-0

Fax..... + 49 040 6569 30-30

E-mail..... [dnh@dnh.de](mailto:dnh@dnh.de)

USA

**DNH Speakers Inc**

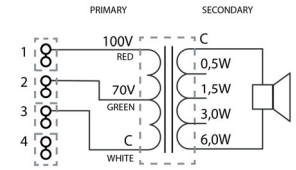
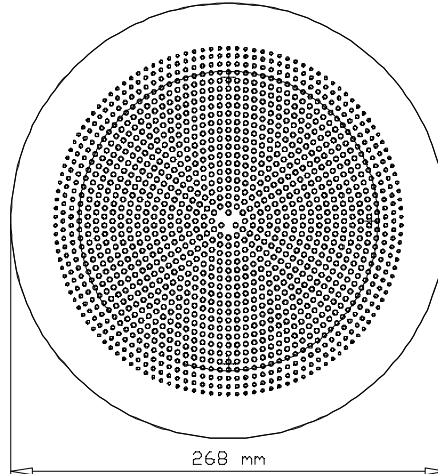
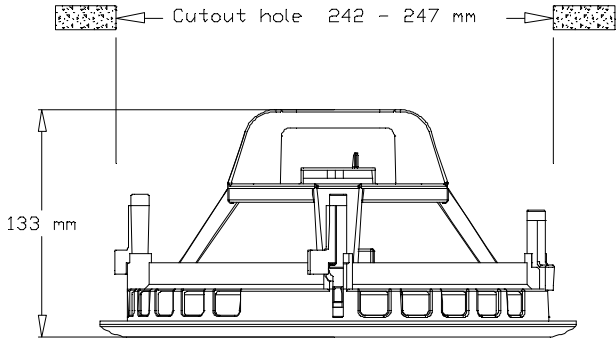
Phone..... + 1 484 494 5790

Fax..... + 1 484 494 5793

E-mail..... [dnh@dnhspeakers.com](mailto:dnh@dnhspeakers.com)

## BP-860(T)

ISO 9001 CERTIFIED



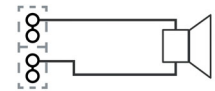
70/100 Volt combined transformer  
Primary connections

White : Green 70 V  
White : Red 100 V

Secondary nominal tapings

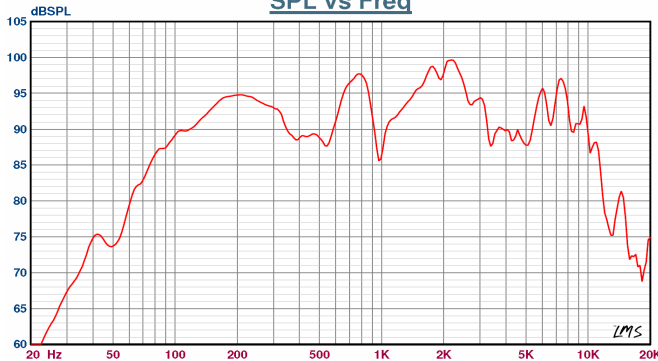
C : 6	6,0 W
C : 3	3,0 W
C : 1,5	1,5 W
C : 0,5	0,5 W

LOW IMPEDANCE



### Sound pressure levels at 1W/1m

#### SPL vs Freq



### Specifications

Material / Color	PA / ABS / RAL9010
Mounting	Hooks
Termination	Spring clamp
Weight	1,2 kg
IP-rating	N/A
Max. / min. amb. temp	90°C / -20°C
Rated power	6 W
SPL 1W/1m	93 dB
SPL rated power	100 dB
Effective freq. range	60 – 15000 Hz
Dispersion (-6dB) 1kHz / 4kHz	135° / 80° (baffle)
Options	Impedances, colors, labels

### Installation, Operation and Maintenance Procedures

- Install the ring into the cut-out hole turning the screws connected to the four hooks, screw clockwise until the ring is fixed to the ceiling.
- Hooks can be mounted both ways to fit the roof thickness.
- Connect cable to terminal. If 70V, replace red cable with the green cable in the terminal.
- Turn the grille gently clockwise within the ring until it stops.
- For optimum performance, always use the correct voltage / power and operate within the frequency limits as stated.
- Do not open loudspeaker when energized.
- This loudspeaker is supplied with two years warranty against defective workmanship.

DNH reserves the right to alter specifications without notice.

