



DNH

HEAD OFFICE, NORWAY

DNH AS

Phone..... + 47 35 98 56 00

E-mail..... dnh@dnh.no

Web-Site..... www.dnh.no

ENGLAND

DNH WW Ltd

Phone..... + 44 1908 275 000

Fax..... + 44 1908 275 100

E-mail..... dnh@dnh.co.uk

GERMANY

DNH GmbH

Phone... + 49 040 6569 30-0

Fax..... + 49 040 6569 30-30

E-mail..... dnh@dnh.de

BLC-550(T)

USA

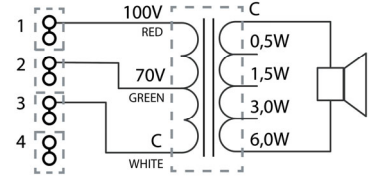
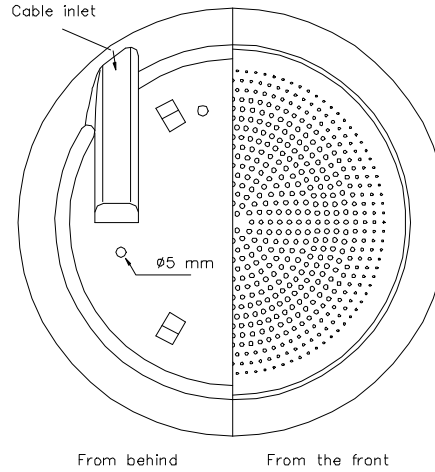
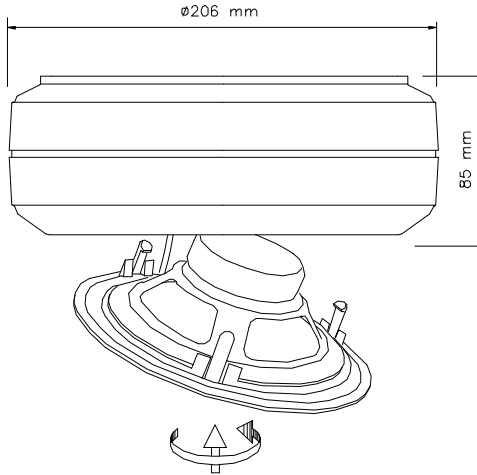
DNH Speakers Inc

Phone..... + 1 484 494 5790

Fax..... + 1 484 494 5793

E-mail..... dnh@dnhspeakers.com

ISO 9001 CERTIFIED



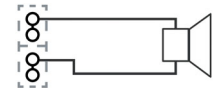
70/100 Volt combined transformer
Primary connections

White : Green 70 V

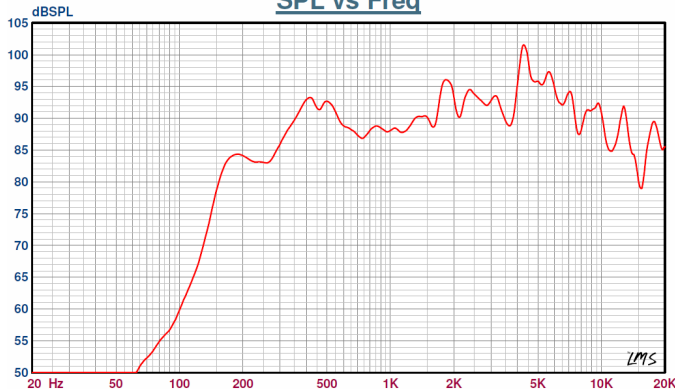
White : Red 100 V

Secondary nominal tapings

C : 6W	6,0 W
C : 3W	3,0 W
C : 1,5W	1,5 W
C : 0,5W	0,5 W



Sound pressure levels at 1W/1m with P5/15T
SPL vs Freq



Specifications

Material / Color	ABS / RAL 9010
Mounting	Screws (max ø5mm)
Termination	Spring clamp
Weight w/transformer	0,93 kg
IP-rating	20
Max. / min. amb. temp	90°C / -20°C
Rated power	6 W
SPL 1W/1m	90 dB
SPL rated power	97 dB
Effective freq. range	140 – 20000 Hz
Dispersion (-6dB) 1kHz / 4kHz	110° / 55°
Options	Impedances, colors, labels

Installation, Operation and Maintenance Procedures

- Open the loudspeaker by turning the grill counterclockwise.
- Lead cable through cable inlet, connect to terminal (70V or 100V) and select required tapping on transformer.
- Screw the cabinet to the wall or ceiling with four screws.
- Screw the loudspeaker front gently clockwise into fixed position.
- For optimum performance, always use the correct voltage / power and operate within the frequency limits as stated.
- Do not open loudspeaker when energized.
- Available in clean room version BLC-550CR
- This loudspeaker is supplied with two years warranty against defective workmanship.

DNH reserves the right to alter specifications without notice.

