



# DNH

HEAD OFFICE, NORWAY  
**DNH AS**

Phone..... + 47 35 98 56 00  
 E-mail..... dnh@dnh.no  
 Web-Site..... www.dnh.no

ENGLAND  
**DNH WW Ltd**

Phone..... + 44 1908 275 000  
 Fax..... + 44 1908 275 100  
 E-mail..... dnh@dnh.co.uk

GERMANY  
**DNH GmbH**

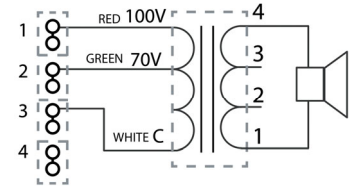
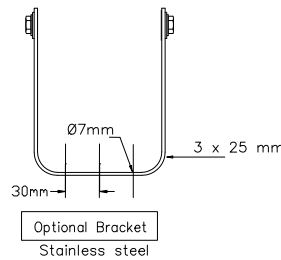
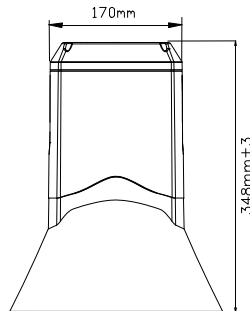
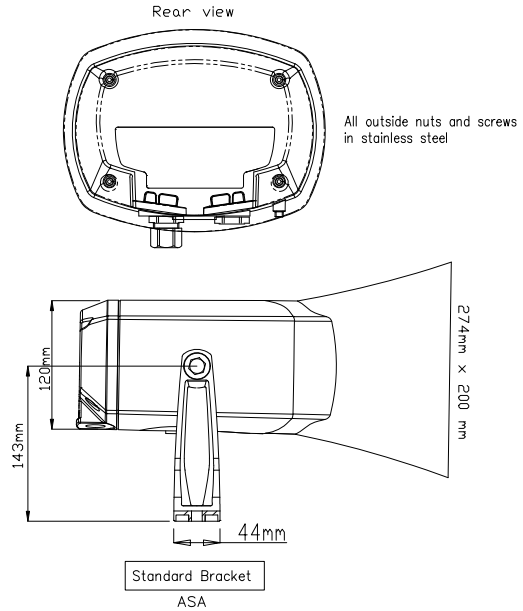
Phone... + 49 040 6569 30-0  
 Fax..... + 49 040 6569 30-30  
 E-mail..... dnh@dnh.de

## DSP-15L(T)

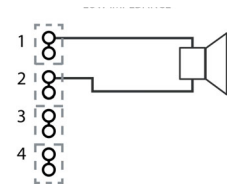
USA  
**DNH Speakers Inc**

Phone..... + 1 484 494 5790  
 Fax..... + 1 484 494 5793  
 E-mail..... dnh@dnhspeakers.com

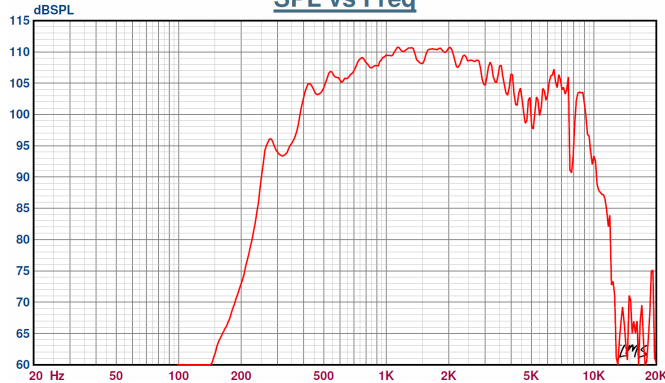
ISO 9001 CERTIFIED



Secondary nominal tapings	
1 : 4	25,0 W
1 : 3	14,5 W
2 : 4	9,5 W
1 : 2	8,0 W
3 : 4	4,0 W
2 : 3	2,4 W



Sound pressure levels at 1W/1m  
**SPL vs Freq**



### Specifications

Material / Color	ASA / RAL 7035
Mounting	Bracket
Termination	Spring clamp
Weight w/transformer	1,9 kg
IP-rating	67
Max. / min. amb. temp	90°C / -50°C
Rated power	25W
SPL 1W/1m	110 dB
SPL rated power	122 dB
Effective freq. range	290 –11000 Hz
Dispersion (-6dB) 1kHz / 4kHz	81° / 37°
Directivity factor, Q	4,5 / 9,6
Options	Impedances, colors, labels

### Installation, Operation and Maintenance Procedures

- Remove lid by four screws, lead cable through the cable gland and connect to terminal 70V (white – green) or 100V (white – red).
- Choose required power on the transformer.
- Check that the gasket is fitted correctly on to the lid. Do not use any lubricants on the gasket.
- Screw lid back into place by four screws with a torque of 1,8 Nm to assure the IP rating.
- To change the position of the loudspeaker, please adjust the standard U- bracket (by loosening / tightening the screws) as required.
- DSP-15L(T) can be supplied with 3 different bracket systems, according to customer requirements.
- For optimum performance, always use the correct voltage / power and operate within the frequency limits as stated.
- Do not open loudspeaker when energized.
- This loudspeaker is supplied with two years warranty against defective workmanship.
- Available with an aluminum swivel bracket.

DNH reserves the right to alter specifications without notice.

