



# DNH

HEAD OFFICE, NORWAY  
**DNH AS**

Phone..... + 47 35 98 56 00  
E-mail..... dnh@dnh.no  
Web-Site..... www.dnh.no

ENGLAND  
**DNH WW Ltd**

Phone..... + 44 1908 275 000  
Fax..... + 44 1908 275 100  
E-mail..... dnh@dnh.co.uk

GERMANY  
**DNH GmbH**

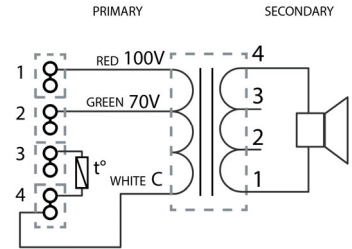
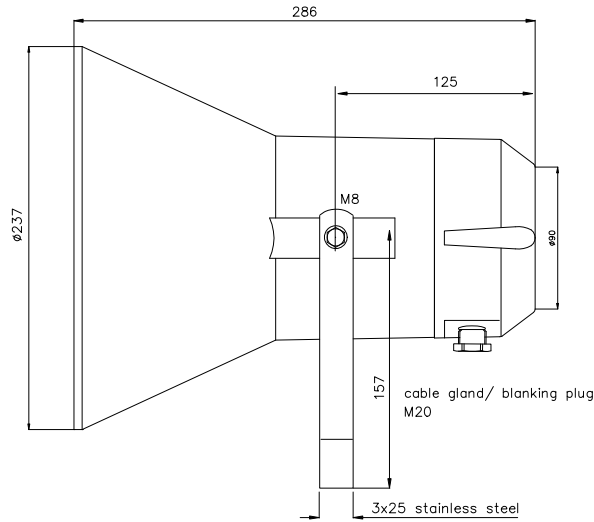
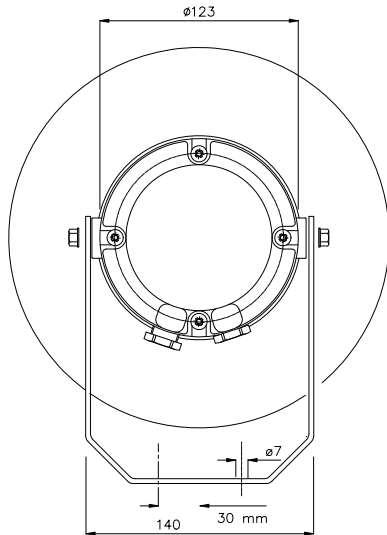
Phone... + 49 040 6569 30-0  
Fax..... + 49 040 6569 30-30  
E-mail..... dnh@dnh.de

## HP-20T-MED

USA  
**DNH Speakers Inc**

Phone..... + 1 484 494 5790  
Fax..... + 1 484 494 5793  
E-mail..... dnh@dnhspeakers.com

ISO 9001 CERTIFIED



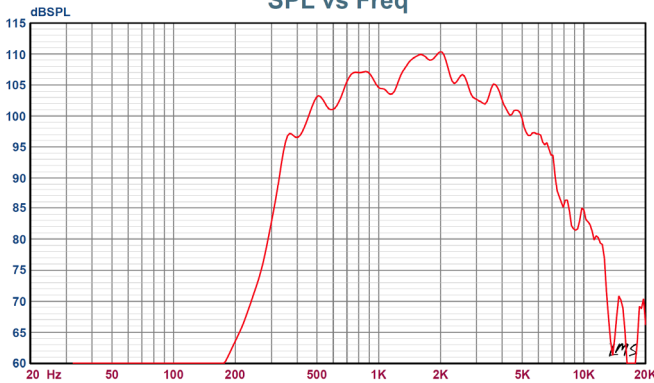
70/100 volt combined transformer  
Primary connections

White : Green 70 V  
White : Red 100 V

Secondary nominal tapings

1 : 4	20 W
1 : 3	15 W
1 : 2	7,5 W
2 : 4	3,5 W
2 : 3	2,0 W

Sound pressure levels at 1W/1m RAV-67  
SPL vs Freq



### Specifications

Material / Color	Polyamide / RAL 7035
Mounting	Bracket
Termination	Spring clamp
Weight w/transformer	2,1 kg
IP-rating	67
Max. / min. amb. temp	110°C / -50°C
Rated power	20W
SPL 1W/1m	110 dB
SPL rated power	122 dB
Effective freq. range	310 – 8000 Hz
Dispersion (-6dB) 1kHz / 4kHz	110° / 32°
Safe Compass Distance	5 m
Options	Colors, labels

### Installation, Operation and Maintenance Procedures

- Unscrew lid (4 screws). Lead cable through cable gland and connect to screw terminal (100V or 70V).
- Select required tapping onto the transformer. Tighten cable gland to ensure IP-grade.
- Fasten lid with a torque of 2 Nm.
- Fasten bracket with 1-3 screws.
- To change the position of the loudspeaker, please adjust the bracket (by loosening / tightening the screws) as required.
- For optimum performance, always use the correct voltage / power and operate within the frequency limits as stated.
- Do not open loudspeaker when energized.
- This loudspeaker is supplied with two years warranty against defective materials and workmanship.

DNH reserves the right to alter specifications without notice.

