



DNH

HEAD OFFICE, NORWAY

DNH AS

Phone..... + 47 35 98 56 00

E-mail..... dnh@dnh.no

Web-site..... www.dnh.no

ENGLAND

DNH WW Ltd

Phone..... + 44 1908 275 000

Fax..... + 44 1908 275 100

E-mail..... dnh@dnh.co.uk

GERMANY

DNH GmbH

Phone... + 49 040 6569 30-0

Fax..... + 49 040 6569 30-30

E-mail..... dnh@dnh.de

HPS-6C(T)

USA

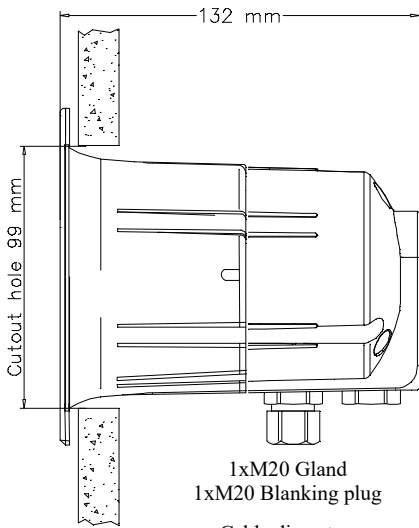
DNH Speakers Inc

Phone..... + 1 484 494 5790

Fax..... + 1 484 494 5793

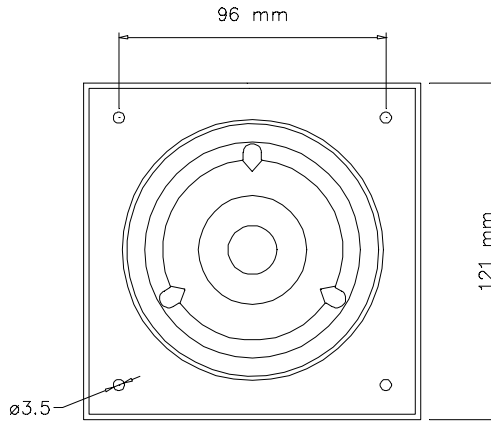
E-mail..... dnh@dnhspeakers.com

ISO 9001 CERTIFIED

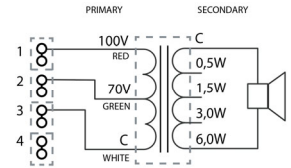


1xM20 Gland
1xM20 Blanking plug

Cable diameter:
6 - 12 mm



All outside nuts and screws in stainless steel.



70/100 Volt combined transformer

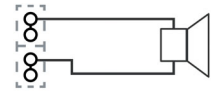
Primary connections

White : Green 70 V
White : Red 100 V

Secondary nominal tapings

C : 6	6,0 W
C : 3	3,0 W
C : 1,5	1,5 W
C : 0,5	0,5 W

LOW IMPEDANCE



Sound pressure levels at 1W/1m MP-6

SPL vs Freq



Specifications

Material / Color	Polyamide V0 halogen free/RAL 7035
Mounting	Insertion
Termination	Spring clamp
Weight w/transformer	0,6 kg
IP-rating	67
Max. / min. amb. temp	110°C / -40°C
Rated power	6 W
SPL 1W/1m	100 dB
SPL rated power	107 dB
Effective freq. range	300 – 20000 Hz
Dispersion (-6dB) 1kHz / 4kHz	155° / 70°(Baffle)
Directivity factor, Q 1kHz/4kHz	2,0 / 5,8
Options	Impedance, colors, labels

Installation, Operation and Maintenance Procedures

- Remove lid, lead cable through cable gland.
- Connect to terminal 70V: white - green or 100V: white - red.
- Select required power by changing the position of the black wire connected to the transformer; choose according to the label inside the loudspeaker.
- Fasten lid with a torque of 1 – 2 Nm. (When delivered without cable.)
- Install loudspeaker onto wall or ceiling with four screws, cut out hole according to drawing.
- This loudspeaker is supplied with two years warranty against defective materials and workmanship.

DNH reserves the right to alter specifications without notice.

