



# DNH

HEAD OFFICE, NORWAY

**DNH AS**

Phone..... + 47 35 98 56 00

E-mail..... dnh@dnh.no

Web-Site..... www.dnh.no

ENGLAND

**DNH WW Ltd**

Phone..... + 44 1908 275 000

Fax..... + 44 1908 275 100

E-mail..... dnh@dnh.co.uk

GERMANY

**DNH GmbH**

Phone... + 49 040 6569 30-0

Fax..... + 49 040 6569 30-30

E-mail..... dnh@dnh.de

## PROB-620(T)

USA

**DNH Speakers Inc**

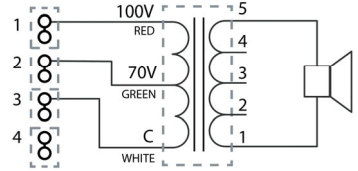
Phone..... + 1 484 494 5790

Fax..... + 1 484 494 5793

E-mail..... dnh@dnhspeakers.com

ISO 9001 CERTIFIED

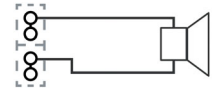
PRIMARY SECONDARY



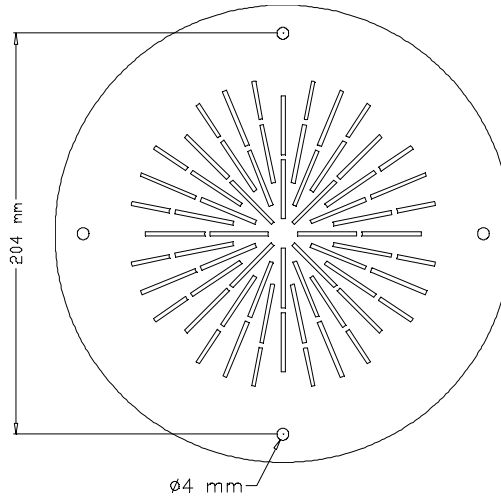
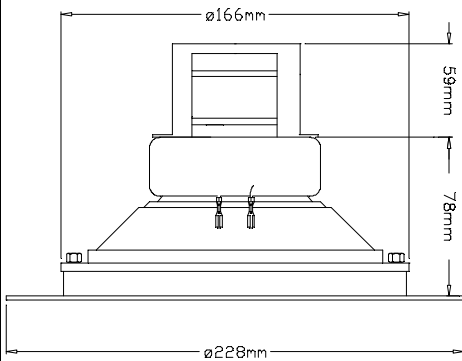
### Secondary nominal tapings

1 : 5	30,0 W
1 : 4	20,0 W
1 : 3	15,0 W
1 : 2	7,5 W
2 : 4	3,5 W
2 : 3	2,0 W

LOW IMPEDANCE

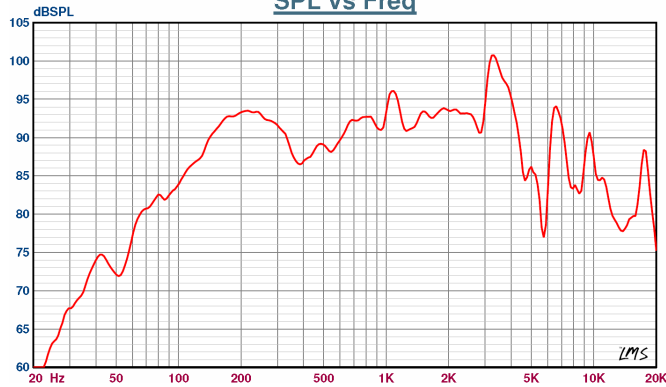


Rec. ceiling hole:  $\varnothing$  170mm



### Sound pressure levels at 1W/1m

#### SPL vs Freq



### Specifications

Material / Color	Aluminum / RAL 9010
Mounting	4 Screws
Termination	Spring clamp
Weight w/transformer	1,7 kg
IP-rating	NA
Max. / min. amb. temp	90°C / -20°C
Rated power	30 W
SPL 1W/1m	90 dB
SPL rated power	105 dB
Effective freq. range	60 – 20000 Hz
Dispersion (-6dB) 1kHz / 4kHz	130° / 50°
Options	Impedances, colors, labels

### Installation, Operation and Maintenance Procedures

- Connect cable to terminal.
- Select required tapping onto the transformer.
- Install loudspeaker grill to wall/ceiling by four screws.
- For optimum performance, always use the correct voltage / power and operate within the frequency limits as stated.
- Do not open loudspeaker when energized.
- This loudspeaker is supplied with two years warranty against defective workmanship.

DNH reserves the right to alter specifications without notice.

