



DNH

HEAD OFFICE, NORWAY

DNH AS

Phone..... + 47 35 98 56 00

E-mail..... dnh@dnh.no

Web-site..... www.dnh.no

ENGLAND

DNH WW Ltd

Phone..... + 44 1908 275 000

Fax..... + 44 1908 275 100

E-mail..... dnh@dnh.co.uk

GERMANY

DNH GmbH

Phone... + 49 040 6569 30-0

Fax..... + 49 040 6569 30-30

E-mail..... dnh@dnh.de

USA

DNH Speakers Inc

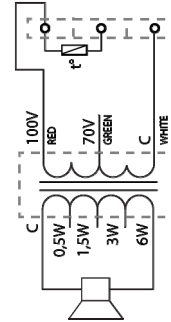
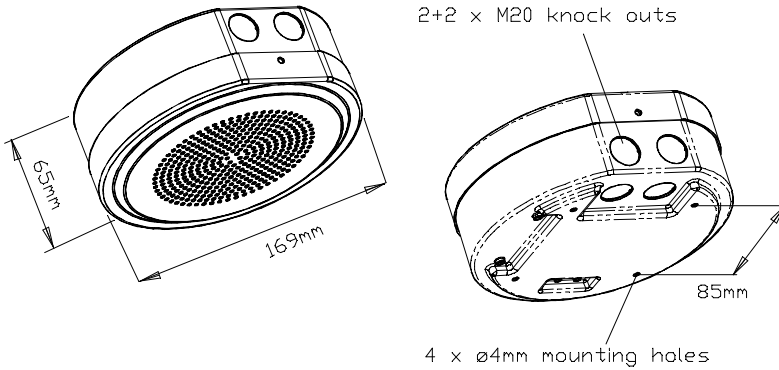
Phone..... + 1 484 494 5790

Fax..... + 1 484 494 5793

E-mail..... dnh@dnhspeakers.com

SAFE-561-54T-MED

ISO 9001 CERTIFIED



Tested acc. To EN54-24

Type : A

Manufactured by DNH A/S

Kragerø Norway

15 1438-CPR-0204

70/100 volt combined transformer
Primary connections

White : Green 70 V

White : Red 100 V

Secondary
nominal tapings

C : 6,0W 6,0 W Imp 1500 Ohm

C : 3,0W 3,0 W Imp 3000 Ohm

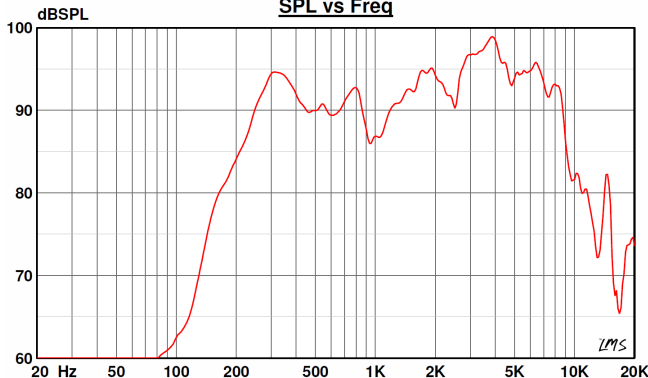
C : 1,5W 1,5 W Imp 6000 Ohm

C : 0,5W 0,5 W Imp 12000Ohm

Loudspeaker for voice alarm systems for fire detection and fire alarm systems for buildings and ships

Sound pressure levels at 1W/1m P-5/15 PS

SPL vs Freq



Horizontal / vertical coverage angles (±6dB)

| | | |
|-------------------|-------|------|
| 1 Oct. Pink noise | 500Hz | 180° |
| 1 Oct. Pink noise | 1KHz | 160° |
| 1 Oct. Pink noise | 2KHz | 105° |
| 1 Oct. Pink noise | 4KHz | 85° |

Specifications acc. testing CNBOP / DNH

| | |
|-------------------------|-------------------------------|
| Material / Color | Steel /Alu/ Ral 9010 |
| Mounting | 4 screws |
| Termination | Screw terminal |
| Weight w/transformer | 1,2 kg |
| IP-rating | 32C |
| Max. / min. amb. temp | 55°C to -10°C / 90°C to -20°C |
| Rated / max. power | 6W |
| Sensitivity 1W/4m | 77 dB |
| SPL 6W/4m | 84 dB |
| Freq. range | 100 Hz – 13000Hz |
| Safe Compass Distance | 5 m |
| Measurement environment | Free-field |

Sensitivity 100Hz-10KHz 1/3 Oct. Pink noise 1W/4 Meters

| | | |
|--------------|-------------|--------------|
| 100Hz: 38dB | 125Hz: 40dB | 160Hz: 47dB |
| 200Hz: 50dB | 250Hz: 55dB | 315Hz: 60dB |
| 400Hz: 64dB | 500Hz: 64dB | 630Hz: 63dB |
| 800Hz: 63dB | 1KHz: 60dB | 1250Hz: 62dB |
| 1600Hz:67dB | 2KHz: 67dB | 2500Hz: 66dB |
| 3150Hz:67dB | 4KHz: 67dB | 5KHz: 64dB |
| 6300Hz:62 dB | 8KHz: 59dB | 10KHz: 57dB |

SAFE-561-54(T) has been tested in 100 hours max power (6W). The model does not deviate more than ± 3 dB from the original test value. The freq. response curve and impedance complies with the original. All SPL tests are performed in an anechoic chamber (<70m³).

Installation, Operation and Maintenance Procedures

- Mount cabinet to wall/ceiling with four suitable screws. Connect cable to terminal and fasten front part to cabinet with two provided screws.
- For optimum performance, always use the correct voltage / power and operate within the frequency limits as stated.
- Do not open loudspeaker when energized.
- This loudspeaker is supplied with two years warranty against defective workmanship.