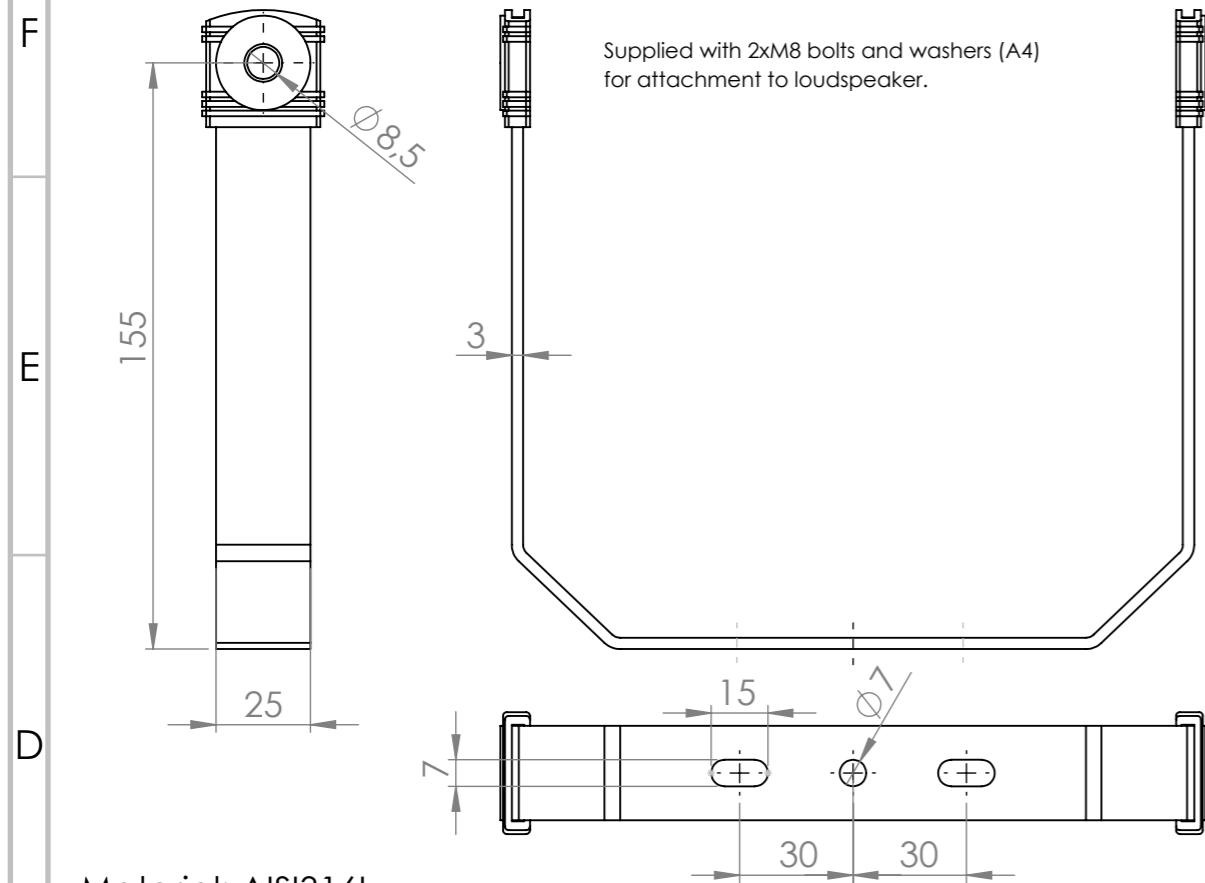


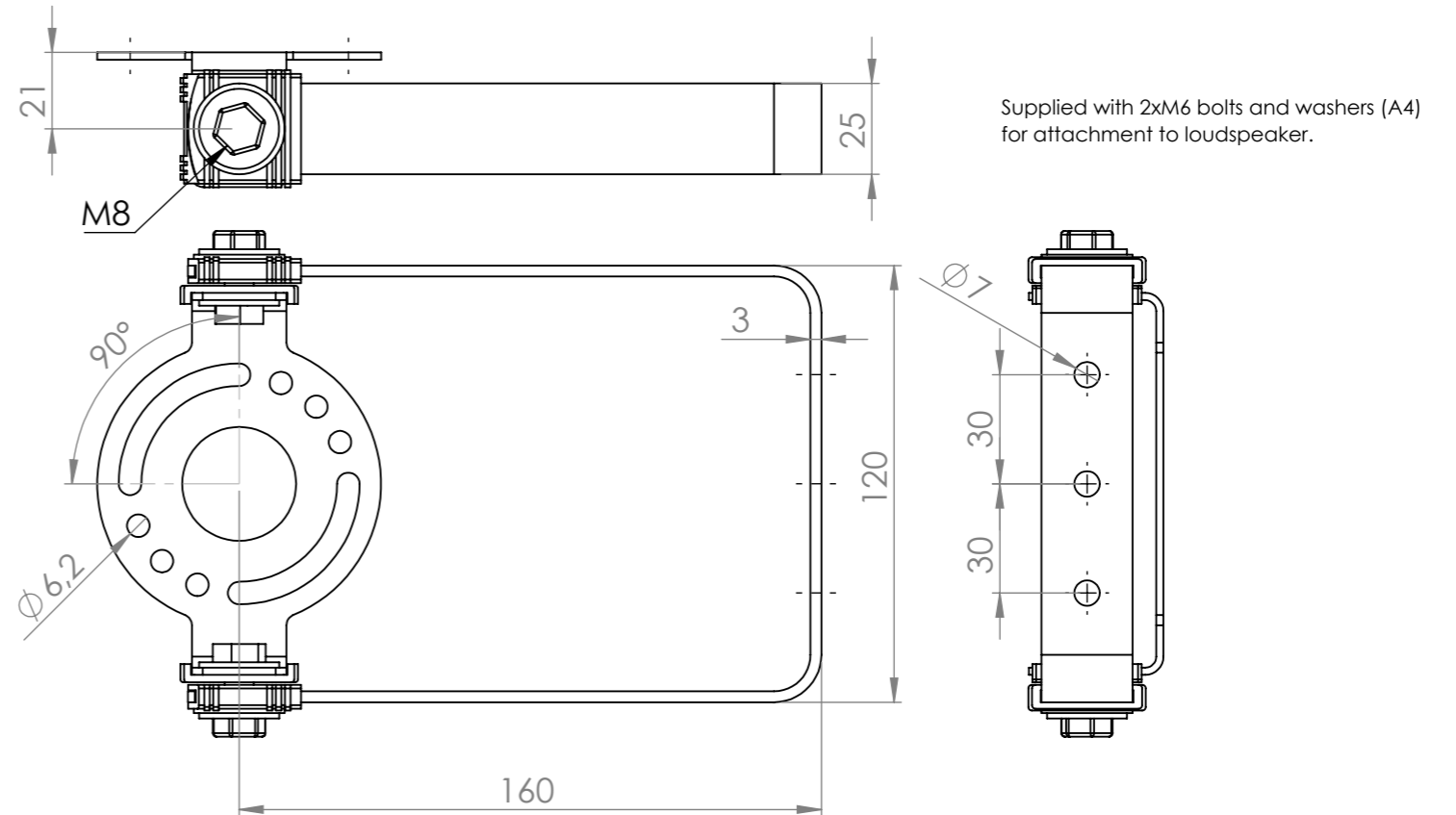
REVISIONS		DATE	DRAWN BY	APPROVED
REV. 1	DESCRIPTION Initial drawing	17.06.2026	MWR	VN

SSB - Stainless steel bracket (standard)



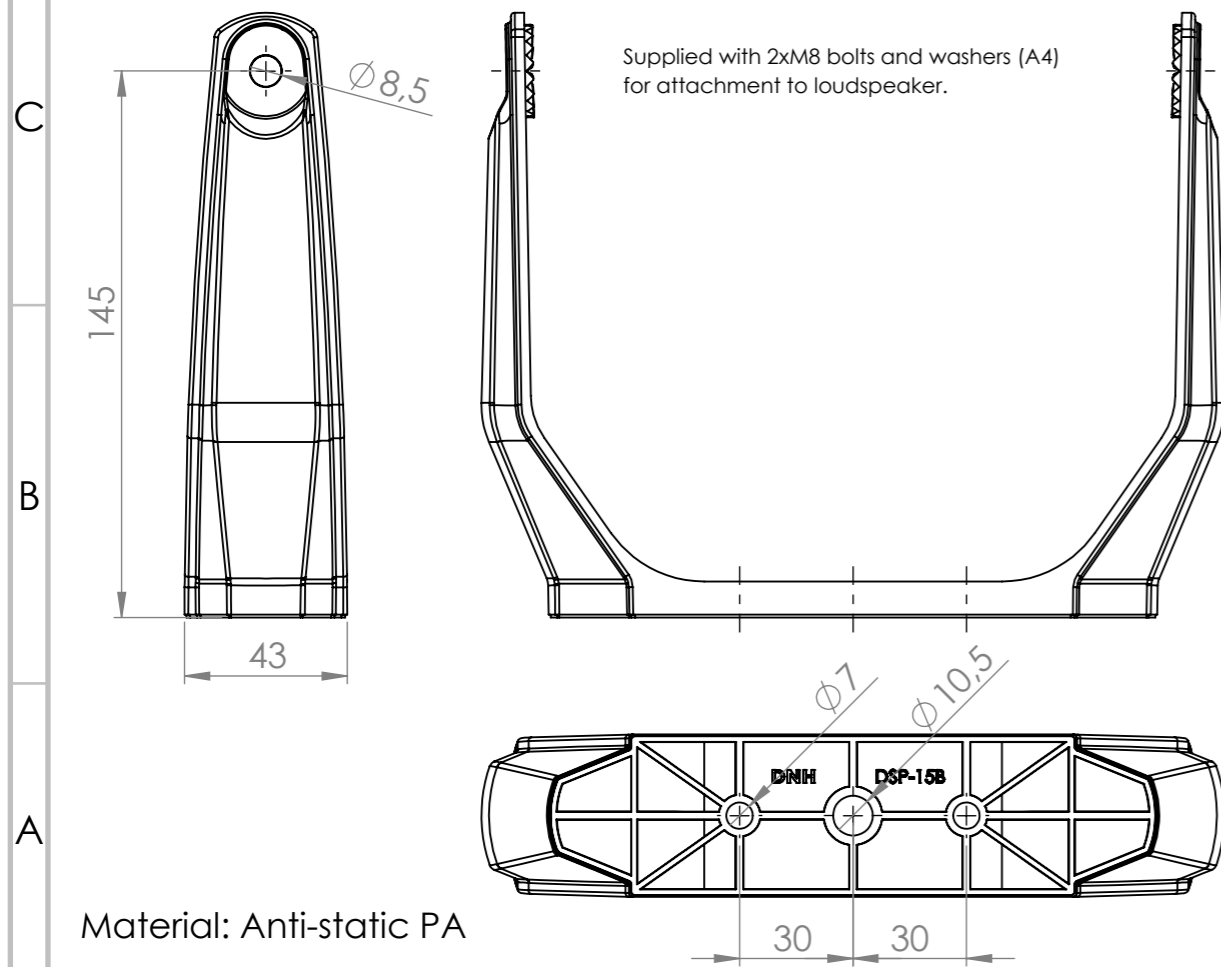
Material: AISI316L

SSW - Stainless steel swivel bracket



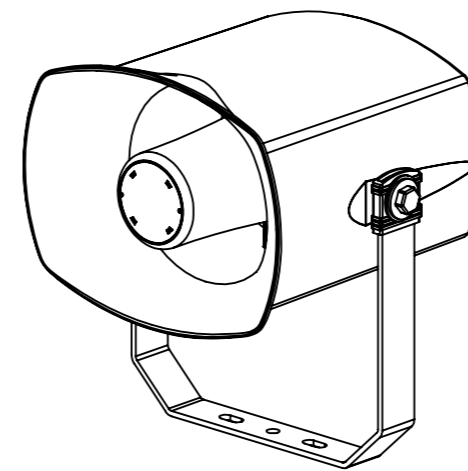
Material: AISI316L

PB - Plastic bracket

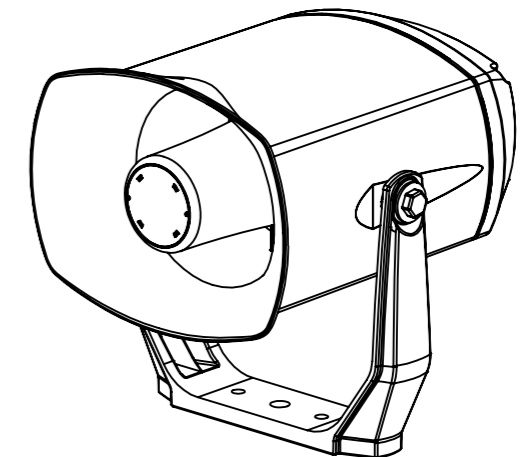


Material: Anti-static PA

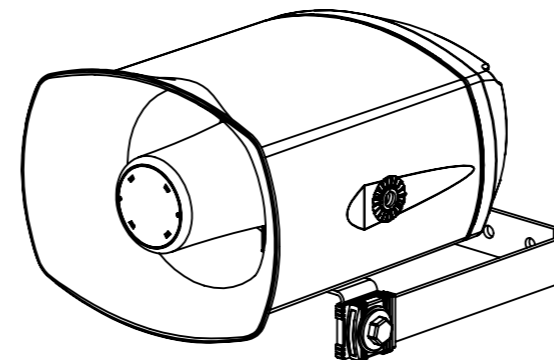
SSB - Stainless steel bracket



PB - Plastic bracket



SSW - Stainless steel swivel bracket



DNH A/S Den Norske Høytalerfabrikk A/S	
TITLE: DSP-15EExmN(T) bracket options	
DWG NO: 2858	REVISION 1
Unit: mm	A3
DO NOT SCALE DRAWING	
SHEET 1 OF 1	