



DNH

HEAD OFFICE, NORWAY
DNH AS

Phone..... + 47 35 98 56 00
E-mail..... dnh@dnh.no
Web-Site..... www.dnh.no

DSP-15EExmN(L)T - Transformer variants

ENGLAND
DNH WW Ltd

Phone..... + 44 1908 275 000
Fax..... + 44 1908 275 100
E-mail..... dnh@dnh.co.uk

GERMANY
DNH GmbH

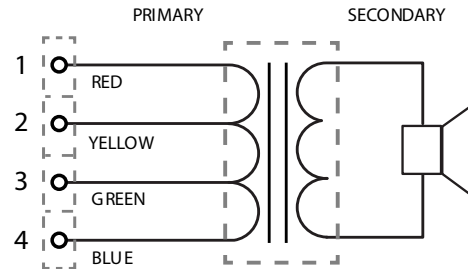
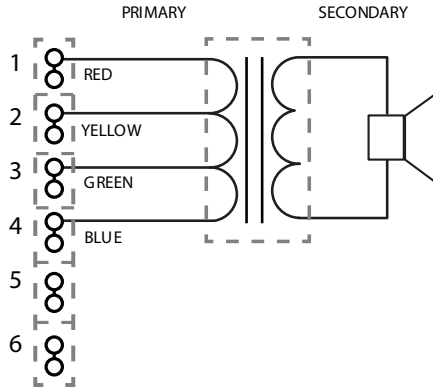
Phone... + 49 040 6569 30-0
Fax..... + 49 040 6569 30-30
E-mail..... dnh@dnh.de

USA
DNH Speakers Inc

Phone..... + 1 484 494 5790
Fax..... + 1 484 494 5793
E-mail..... dnh@dnhspeakers.com

ISO 9001 CERTIFIED

Circuit diagram:



Type Weidmüller MK/BK screw terminals

WAGO 264 – 6p terminal (standard)
Can also be supplied with WAGO 262
or Weidmüller MK/BK screw terminals.

For screw terminals, all terminal screws, used and unused, shall be tightened down to between:
BK – TUV 18 ATEX 8209U: 0,5Nm and 0,7Nm
MK - TUV 18 ATEX 8209U: 0,4Nm and 0,45Nm

Technical Specifications – 100V transformer

100V Transformer type	25W	20W	15W	12W	10W	8W	6W	2W	1W
Rated Power	25W	20W	15W	12W	10W	8W	6W	2W	1W
Rated Voltage	100V	100V	100V	100V	100V	100V	100V	100V	100V
SPL Rated Power IIB / IIC (DSP-15EExmNT)	118 / 114 dB	117 / 113 dB	117 / 113 dB	116 / 112 dB	116 / 112 dB	115 / 111 dB	113 / 109 dB	109 / 105 dB	106 / 102 dB
SPL Rated Power IIB / IIC (DSP-15EExmNLT)	122 / 118 dB	121 / 117 dB	121 / 117 dB	120 / 116 dB	120 / 116 dB	119 / 115 dB	117 / 113 dB	112 / 108 dB	109 / 105 dB
Tapping selection:									
1 : 2	25 W	20 W	15 W	12 W	10 W	8 W	6 W	2 W	1 W
2 : 3	15 W	11 W	8 W	6 W	5 W	4 W	3 W	1,7 W	0,5 W
3 : 4	6,5 W	5 W	4 W	3 W	2,5 W	2 W	1,5 W	1,0 W	0,3 W
1 : 3	5 W	4 W	3 W	1,5 W	1,8 W	1,5 W	1,0 W	0,5 W	0,2 W
2 : 4	2,5 W	2 W	1,5 W	1 W	0,9 W	0,7 W	0,5 W	0,3 W	0,1 W
1 : 4	1,5 W	1 W	0,8 W	0,5 W	0,5 W	0,4 W	0,3 W	0,15 W	0,05 W

Other transformer values available on request.

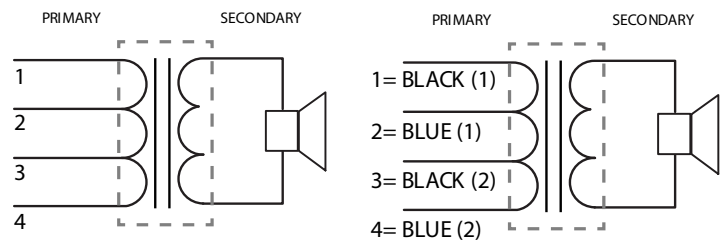
Technical Specifications – 70V transformer

70V Transformer type	25W	15W	6W
Rated Power	25W	15W	6W
Rated Voltage	70V	70V	70V
SPL Rated Power IIB / IIC (DSP-15EExmNT)	118 / 114 dB	117 / 113 dB	113 / 109 dB
SPL Rated Power IIB / IIC (DSP-15EExmNLT)	122 / 118 dB	121 / 117 dB	117 / 113 dB
Tapping selection:			
1 : 2	25 W	15 W	6 W
2 : 3	15 W	7,5 W	3 W
3 : 4	6,5 W	3,5 W	1,5 W
1 : 3	5 W	3 W	1 W
2 : 4	2,5 W	1,5 W	0,5 W
1 : 4	1,5 W	1 W	0,3 W

DSP-15EExmNMF(L)T variants:

Standard cable

BFOU(c) cable



Cable types available on request.

DNH reserves the right to alter specifications without notice.